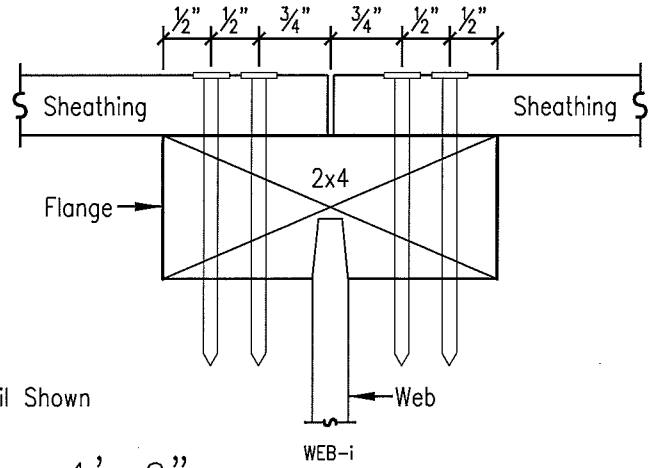
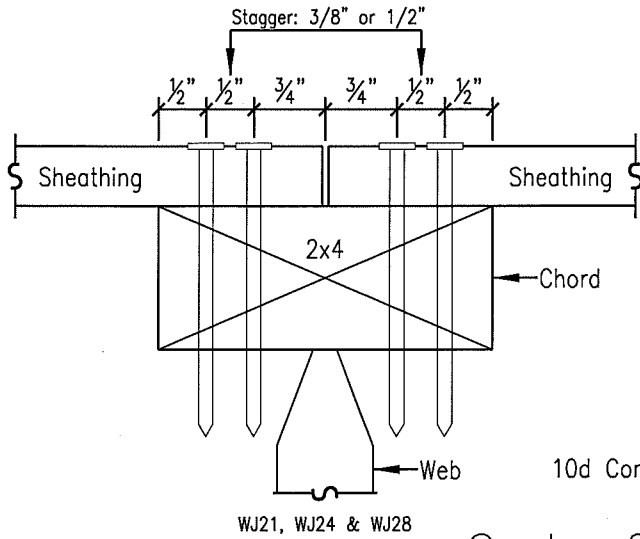
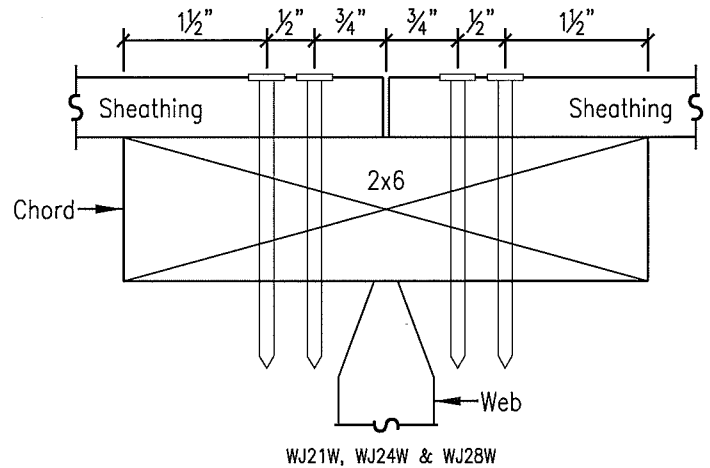
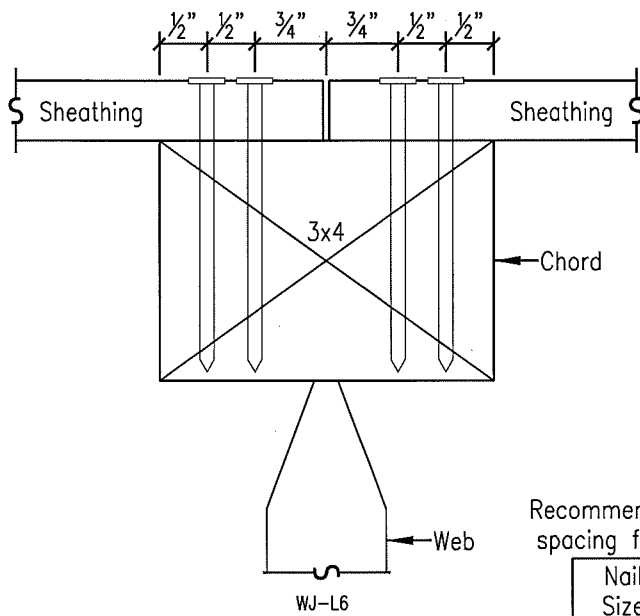


# 2 Rows of Nailing w/Offset & Stagger



10d Com Nail Shown

Scale: 6" = 1'-0"



Recommended minimum on-center spacing for nails in a single row.

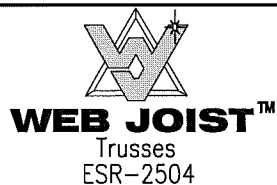
| Nail Size | 2x4<br>2x6 | 3x4   |
|-----------|------------|-------|
| 8d Box    | 3.75"      | 3.00" |
| 8d Com    | 4.50"      | 3.50" |
| 10d Box   | 4.25"      | 3.50" |
| 10d Com   | 5.00"      | 4.00" |
| 12d Box   | 4.25"      | 3.50" |
| 12d Com   | 5.00"      | 4.00" |
| 16d Box   | 4.50"      | 3.75" |
| 16d Com   | 5.50"      | 4.50" |

2x4 = WJ21, WJ24, WJ28 and WEB-i

2x6 = WJ21W, WJ24W and WJ28W

3x4 = WJ-L6

Web Joist NW Corp.  
118 Borovec Road  
Chehalis, WA 98532  
(360) 748-1173 Phone  
(360) 748-6151 Fax



**WEB-i**®  
Joists  
ESR-2974

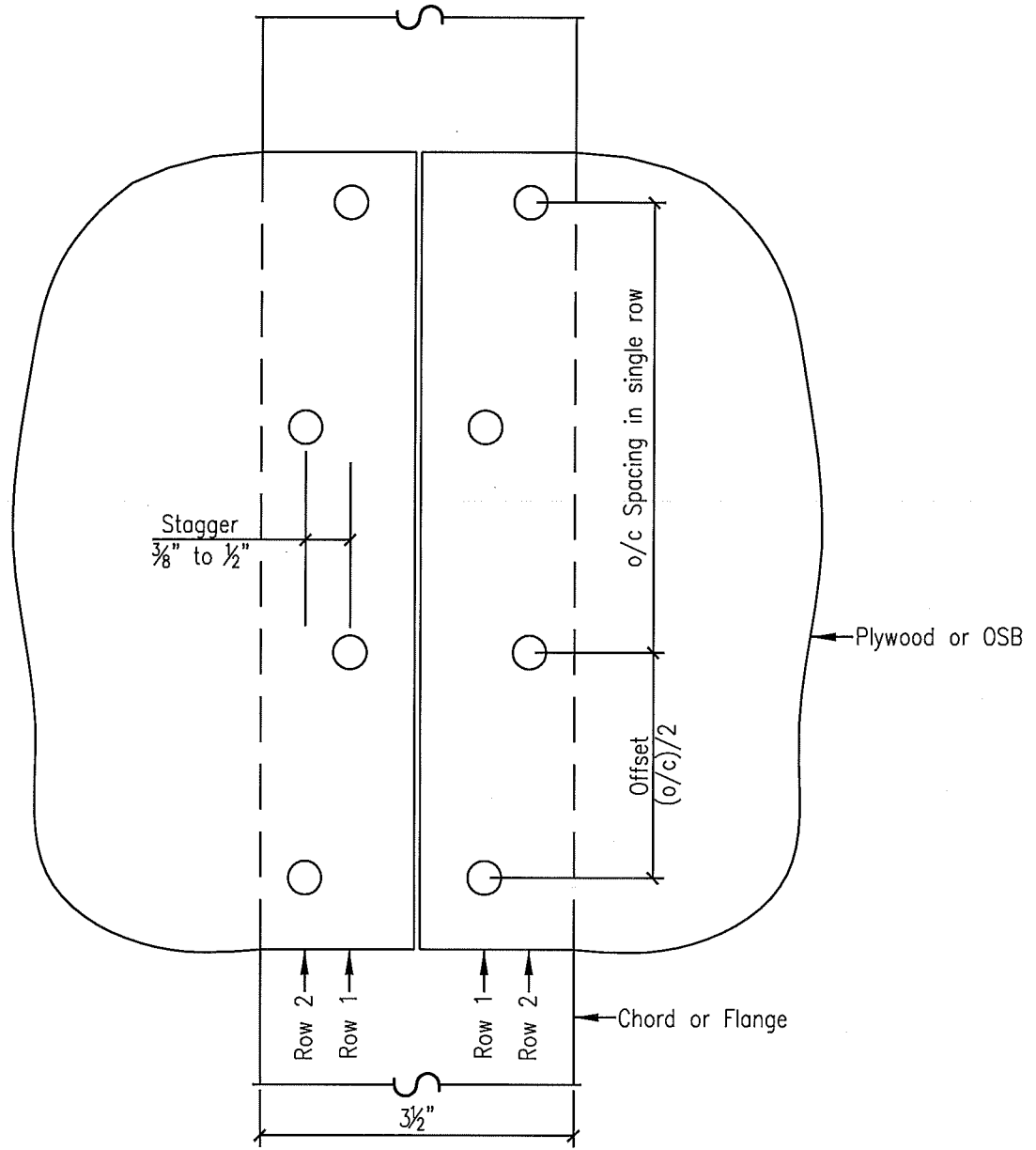
Job No.:  
Name: Nailing of Truss or I-Joist

BEH

02-15-11

Sht. 1 of 2

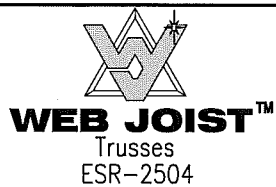
# Top View



Scale: 6" = 1'-0"

Example: (2x4 Chord)  
 10d Com w/Min. o/c = 5.00"  
 Offset = (o/c)/2 = 2.50"  
 Effective o/c Spacing = 2.50"

Web Joist NW Corp.  
 118 Borovec Road  
 Chehalis, WA 98532  
 (360) 748-1173 Phone  
 (360) 748-6151 Fax



**WEB-i**<sup>®</sup>  
 Joists  
 ESR-2974

Job No.:  
 Name: Nailing of Truss or I-Joist

BEH | 02-15-11 | Sht. 2 of 2