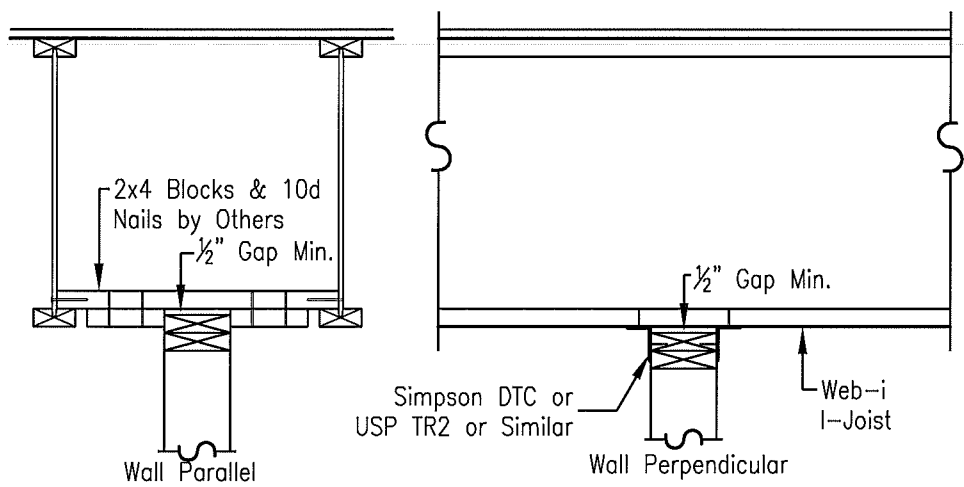


Non-Bearing Partition Wall (Where Occurs)



Ref: 3/S3.1

Scale: 3/4"=1'-0"



Non-Bearing Partition Wall (Where Occurs)



Ref: 3/S3.1

Scale: 3/4"=1'-0"