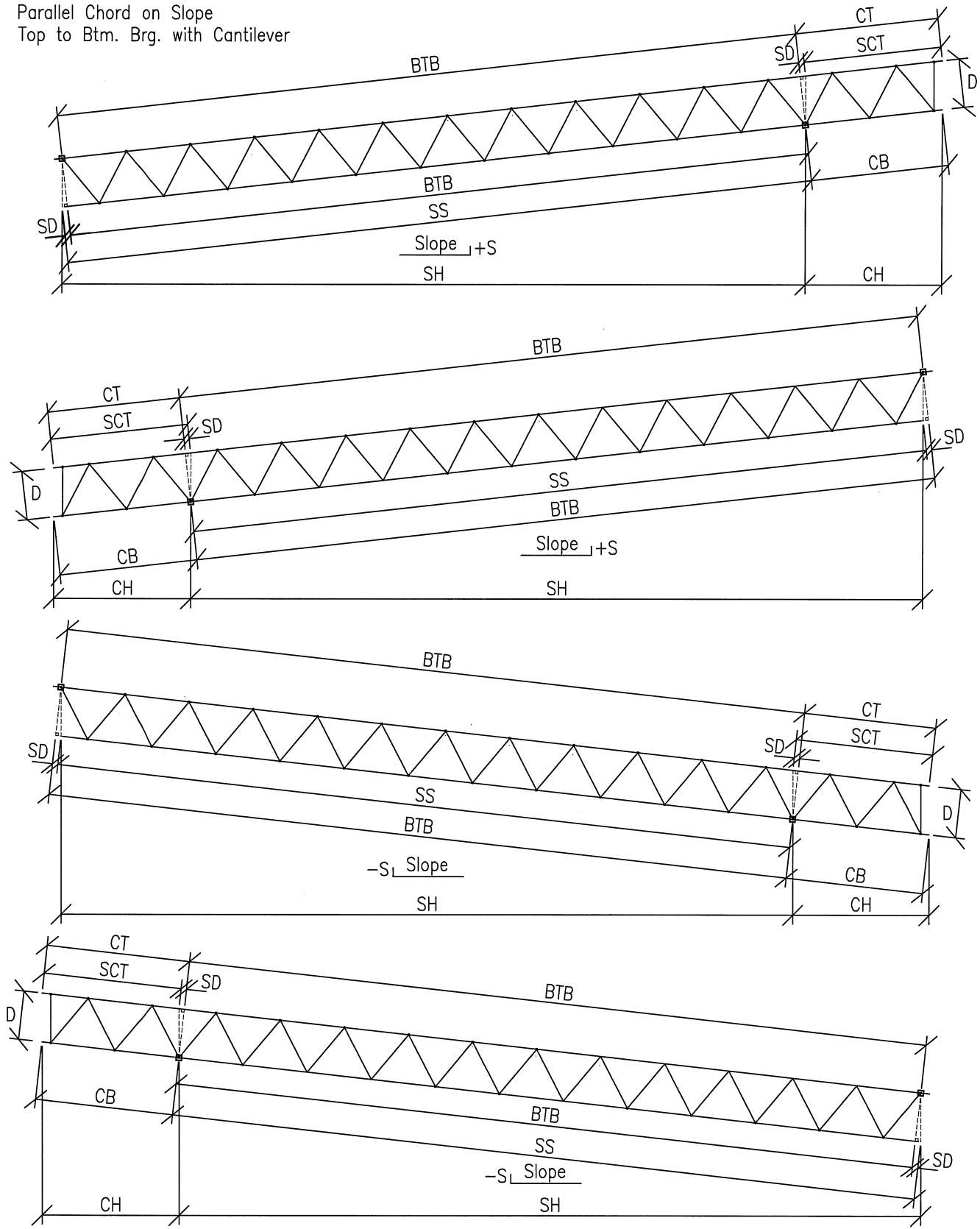


Parallel Chord on Slope  
 Top to Btm. Brg. with Cantilever



TERMS:

- S = Slope (In./Ft.)
- SA = Slope Angle (Degrees) = (S/12") Inv Tan
- SH = Span Horiz. (In.) or Horiz. Brg. Pin to Brg. Pin
- CH = Cantilever Horiz. (In.) (Top may be different than Btm.)
- SD = Slope Depth Correction (In.) =  $D \times \tan(SA)$
- D = Depth Pin to Pin (In.)
- SS = Slope Span (In.) =  $SH / \cos(SA)$
- BTB = Brg. to Brg. Along Bottom Chord (In.) =  $SS \pm SD$  (See Details)
- CB = Cantilever Btm. (In.) =  $CH \text{ of Btm.} / \cos(SA)$
- SCT = Slope Cantilever Top (In.) =  $CH \text{ of Top} / \cos(SA)$
- CT = Cantilever Top (In.) =  $SCT \pm SD$  (See Details)