

WEB JOIST™

Trusses

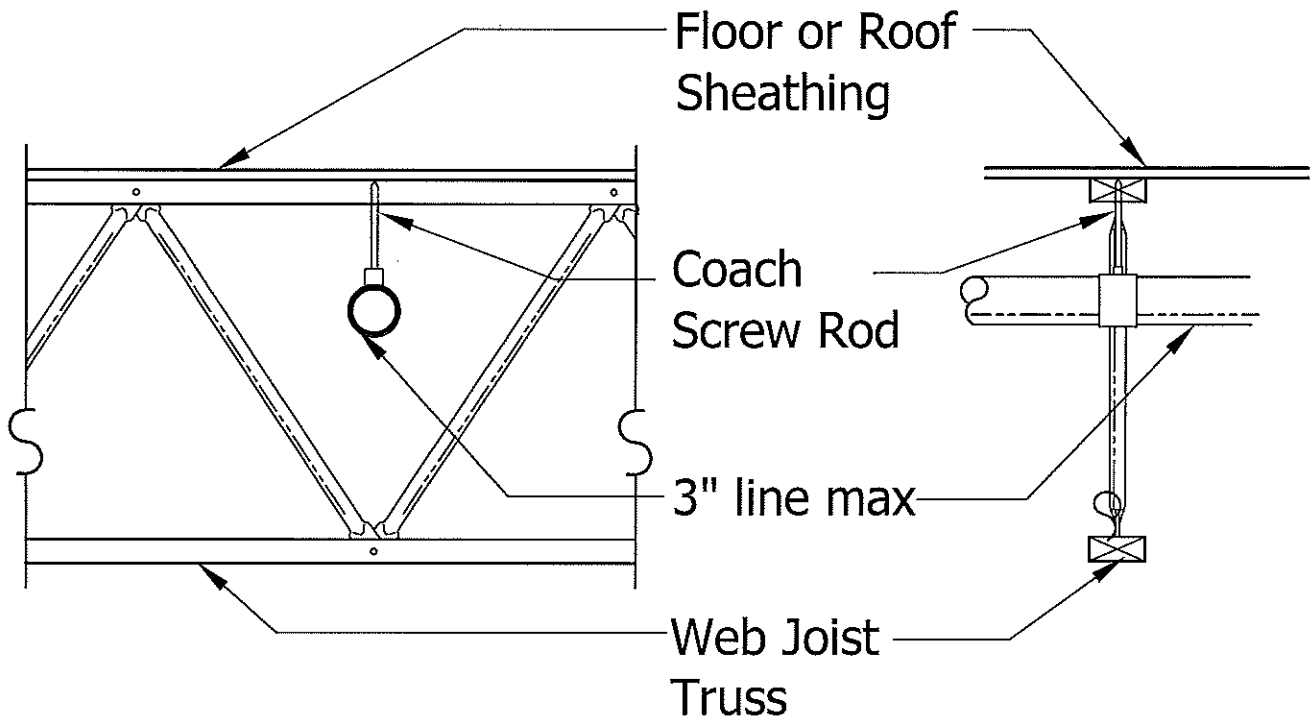
Sprinkler Line Attachment Manual

General Information

1. The following suggested details may or may not meet local code requirements, therefore approval should be obtained from local code officials prior to usage.
2. The maximum load that may be carried by a detail is controlled by many factors, therefore each condition is evaluated on it's specific combination of factors.
3. Extra trusses may be required for some loading conditions.
4. Lag screws, wood screws, and nails may not be driven into the 1½" face of the chord.
5. Lead holes are required for all lag screws and wood screws.
6. A drilled hole is allowed in the wide face of the chord under the following conditions:
 - A) Located within ⅜" of chord centerline.
 - B) Maximum of ½" Dia.
 - C) Located a minimum of 6" from pin location.
 - D) Located a minimum of 2" from edge of finger joint.
7. It is suggested that 2½ to 3 PSF be added to the design dead load to allow for the liberal placement of sprinkler branch lines

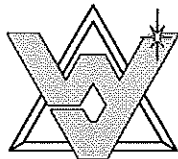
Web Joist Northwest Corp.
118 Borovec Road
Chehalis, WA 98532
(888) 748-1173 Phone
(360) 748-6151 Fax
Info@Webjoist.com

Coach Screw Rod



1. Use $\frac{3}{8}$ " Rod w/ $1\frac{1}{2}$ " penetration.
2. Predrill $\frac{1}{4}$ " lead hole.
3. Install rod within $\frac{3}{8}$ " of chord centerline.
4. Do not install within 6" of pin connection.
5. May also be hung from bottom chord.

Web Joist Northwest Corp.
118 Borovec Road
Chehalis, WA 98532
(888) 748-1173 Phone
(360) 748-6151 Fax
Info@Webjoist.com



WEB JOIST™
Trusses

Title:

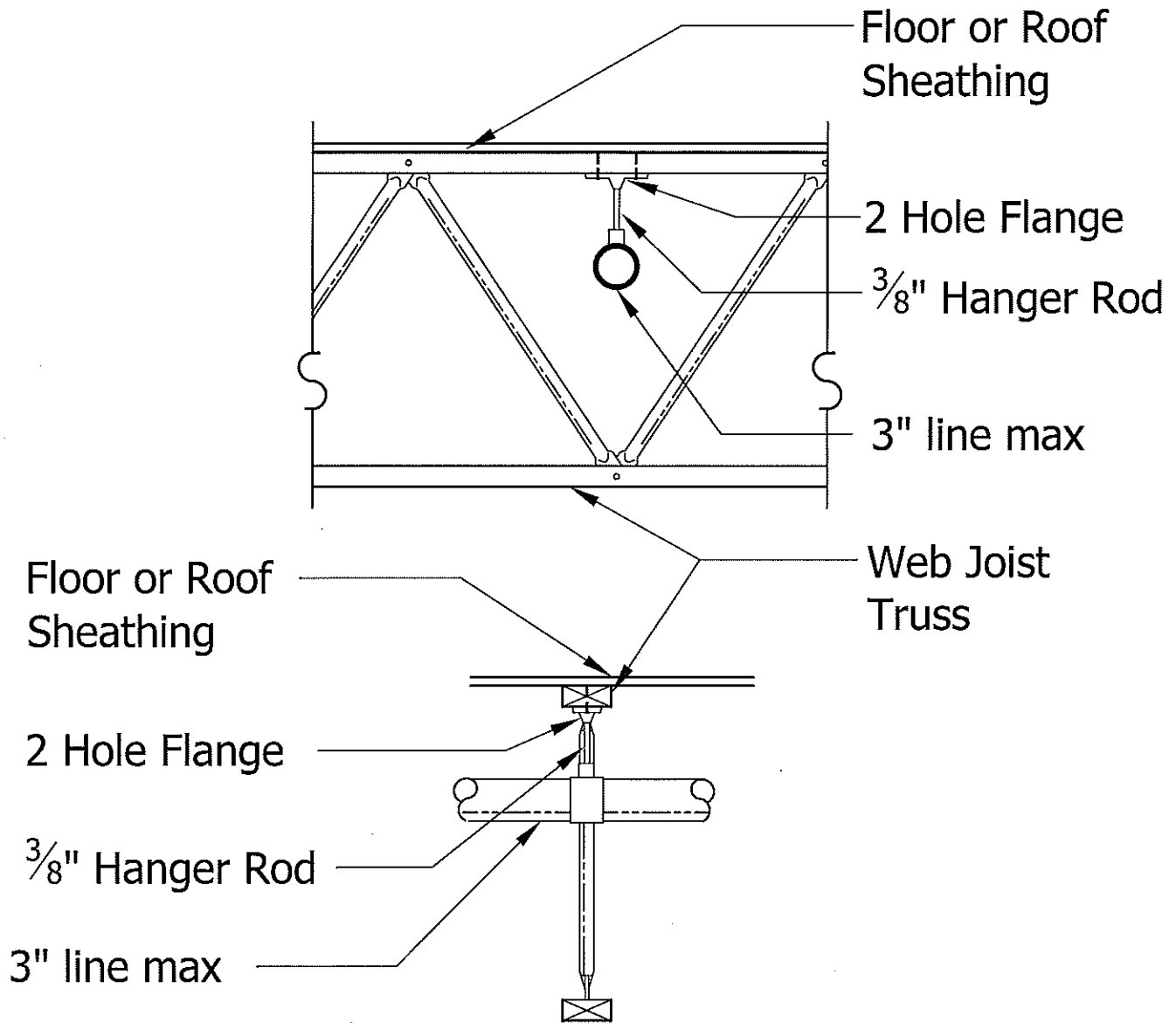
Coach Screw Rod

BEH

02-28-08

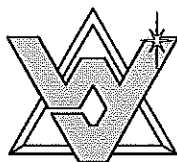
Sht. 1 of 17

Flange Hanger



1. Use (2) #18 (0.294") screws w/ 1½" penetration.
2. Pre-drill 3/16" lead hole.
3. Do not install within 6" of pin connection.
4. May also be hung from bottom chord.

Web Joist Northwest Corp.
 118 Borovec Road
 Chehalis, WA 98532
 (888) 748-1173 Phone
 (360) 748-6151 Fax
 Info@Webjoist.com



WEB JOIST™
 Trusses

Title:

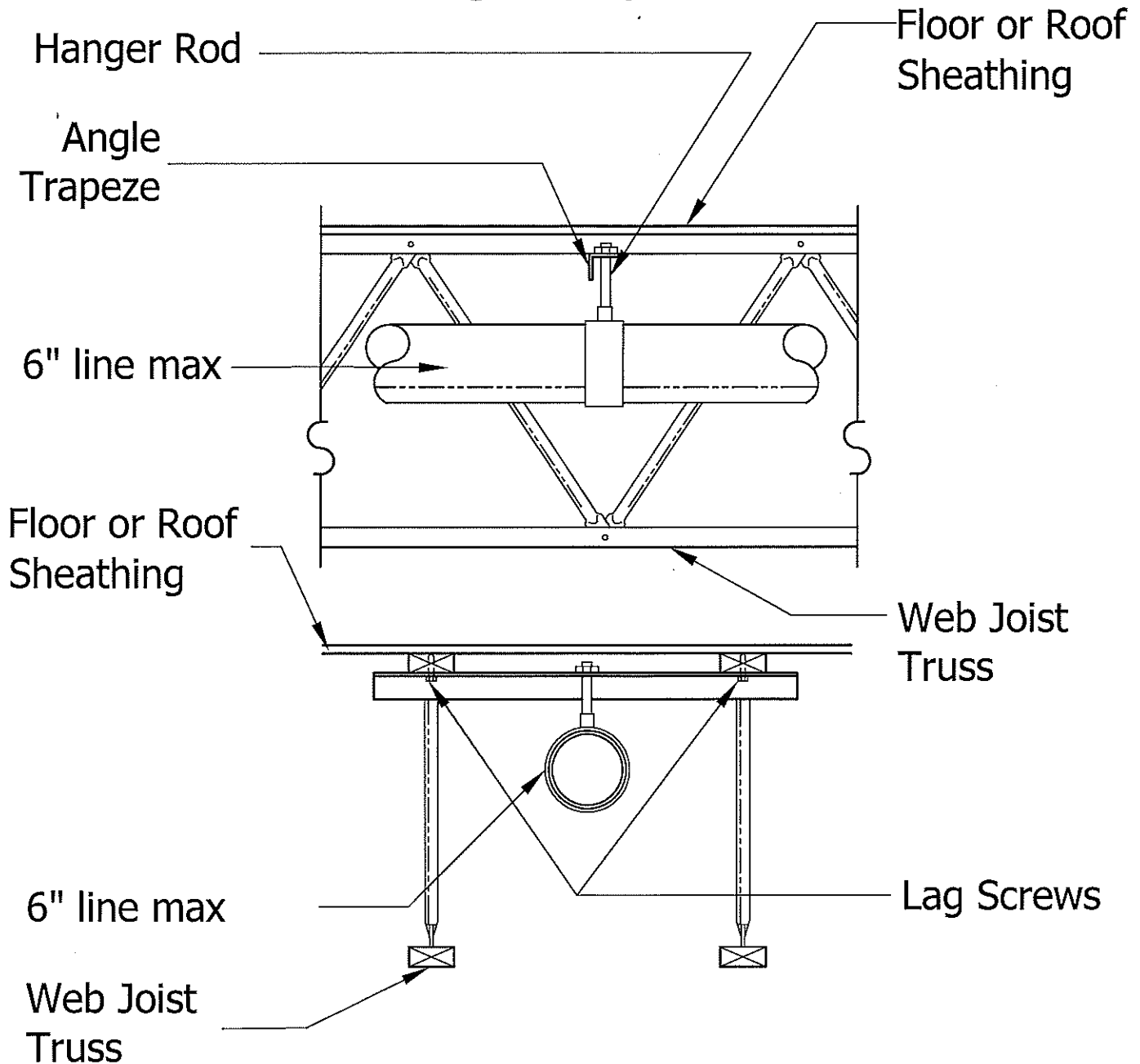
Flange Hanger

BEH

02-28-08

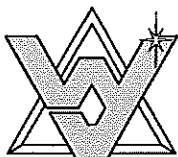
Sht. 2 of 17

Angle Trapeze



1. Size Angle Trapeze per loading.
2. Attach w/ $\frac{3}{8}$ " lag screws w/ $1\frac{1}{2}$ " penetration.
3. Predrill $\frac{1}{4}$ " lead hole.
4. Do not install within 6" of pin connection.

Web Joist Northwest Corp.
 118 Borovec Road
 Chehalis, WA 98532
 (888) 748-1173 Phone
 (360) 748-6151 Fax
 Info@Webjoist.com



WEB JOIST™
 Trusses

Title:

Angle Trapeze

BEH

02-28-08

Sht. 3 of 17

Pipe Trapeze

Floor or Roof Sheathing

Wood or Lag Screw

6" line max

Floor or Roof Sheathing

Web Joist Truss

6" line max

Pipe Trapeze

U-Bracket

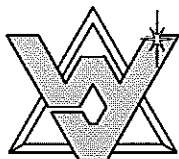
Web Joist Truss

Pipe Trapeze

U-Bracket

1. Use wood screws or lag screws as determined by load to attach U-Bracket.
2. Must have 1 1/2" penetration.
3. Predrill holes.
4. Do not install within 6" of pin connection.

Web Joist Northwest Corp.
118 Borovec Road
Chehalis, WA 98532
(888) 748-1173 Phone
(360) 748-6151 Fax
Info@Webjoist.com



WEB JOIST™
Trusses

Title:

Pipe Trapeze

BEH

02-28-08

Sht. 4 of 17

U-Bracket

Floor or Roof Sheathing

U-Bracket

Wood Screw

Web Joist Truss

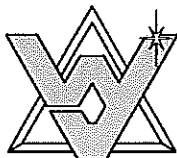
Floor or Roof Sheathing

U-Bracket

Web Joist Truss

1. Use (2) #18 (0.294") screws w/ 1½" penetration.
2. Pre-drill 3/16" lead hole.

Web Joist Northwest Corp.
 118 Borovec Road
 Chehalis, WA 98532
 (888) 748-1173 Phone
 (360) 748-6151 Fax
 Info@Webjoist.com



WEB JOIST™
 Trusses

Title:

U-Bracket

BEH

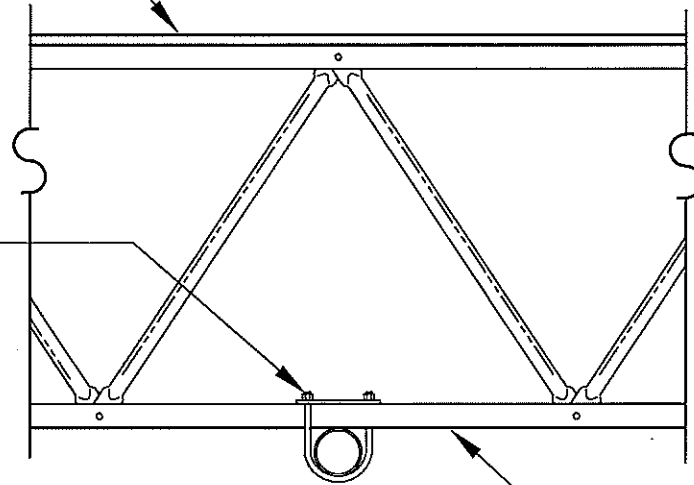
02-28-08

Sht. 5 of 17

U-Bolt

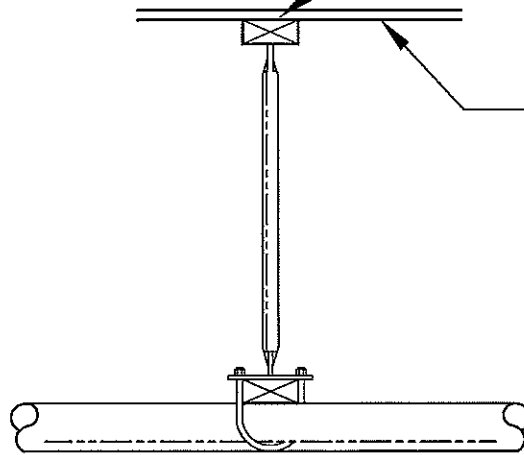
Floor or Roof Sheathing

U-Bolt



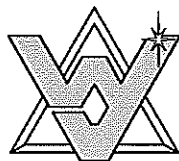
Web Joist Truss

Floor or Roof Sheathing



1. Use $\frac{3}{8}$ " Threaded U-Bolt w/ $\frac{1}{4}$ " Steel Plate.
2. Can be located anywhere on bottom chord.

Web Joist Northwest Corp.
118 Borovec Road
Chehalis, WA 98532
(888) 748-1173 Phone
(360) 748-6151 Fax
Info@Webjoist.com



WEB JOIST™
Trusses

Title:

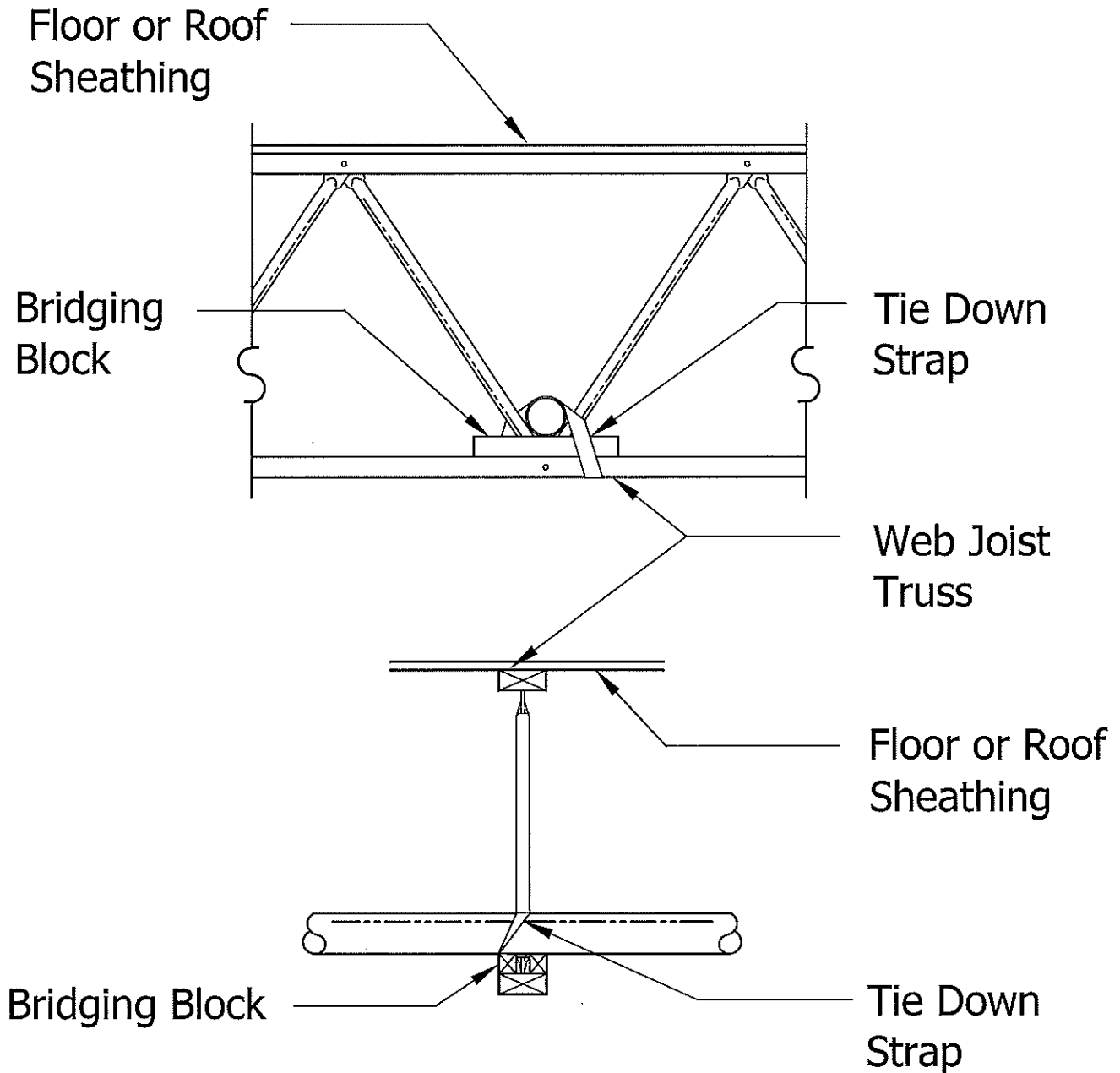
U-Bolt

BEH

02-28-08

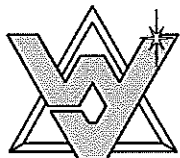
Sht. 6 of 17

Tie Down



1. Use Plumbers Strap, Tin Strap, or Wire to attach line to a notched Bridging Block.
2. Do not nail into narrow face of chord.

Web Joist Northwest Corp.
118 Borovec Road
Chehalis, WA 98532
(888) 748-1173 Phone
(360) 748-6151 Fax
Info@Webjoist.com



WEB JOIST™
Trusses

Title:

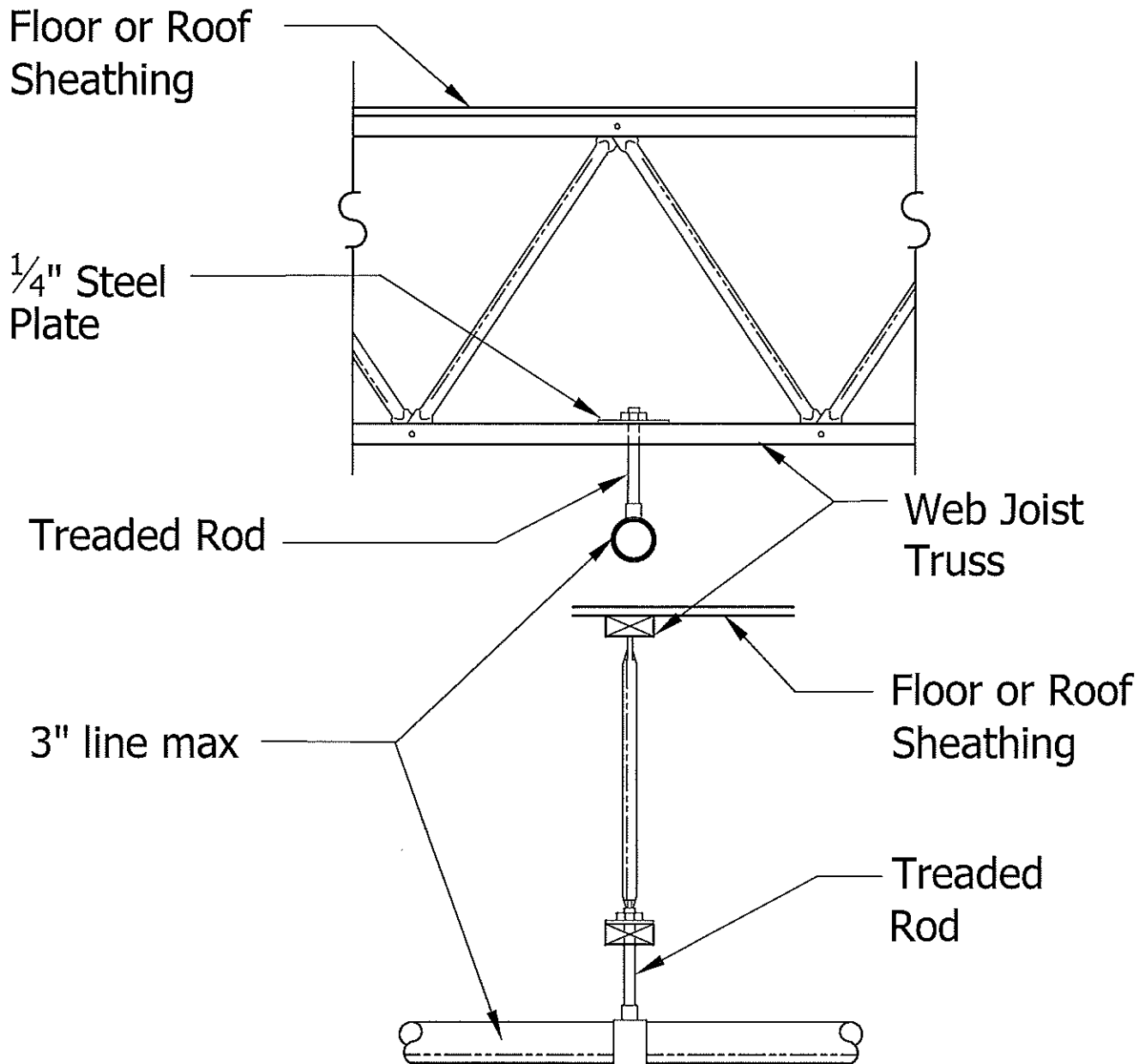
Tie Down

BEH

02-28-08

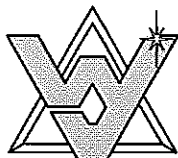
Sht. 7 of 17

Threaded Rod Hanger



1. Use $\frac{3}{8}$ " Threaded Rod w/ large washer and nut.
2. Predrill $\frac{3}{8}$ " hole in centerline of chord.
3. Do not install within 6" of pin connection.

Web Joist Northwest Corp.
 118 Borovec Road
 Chehalis, WA 98532
 (888) 748-1173 Phone
 (360) 748-6151 Fax
 Info@Webjoist.com



WEB JOIST™
 Trusses

Title:

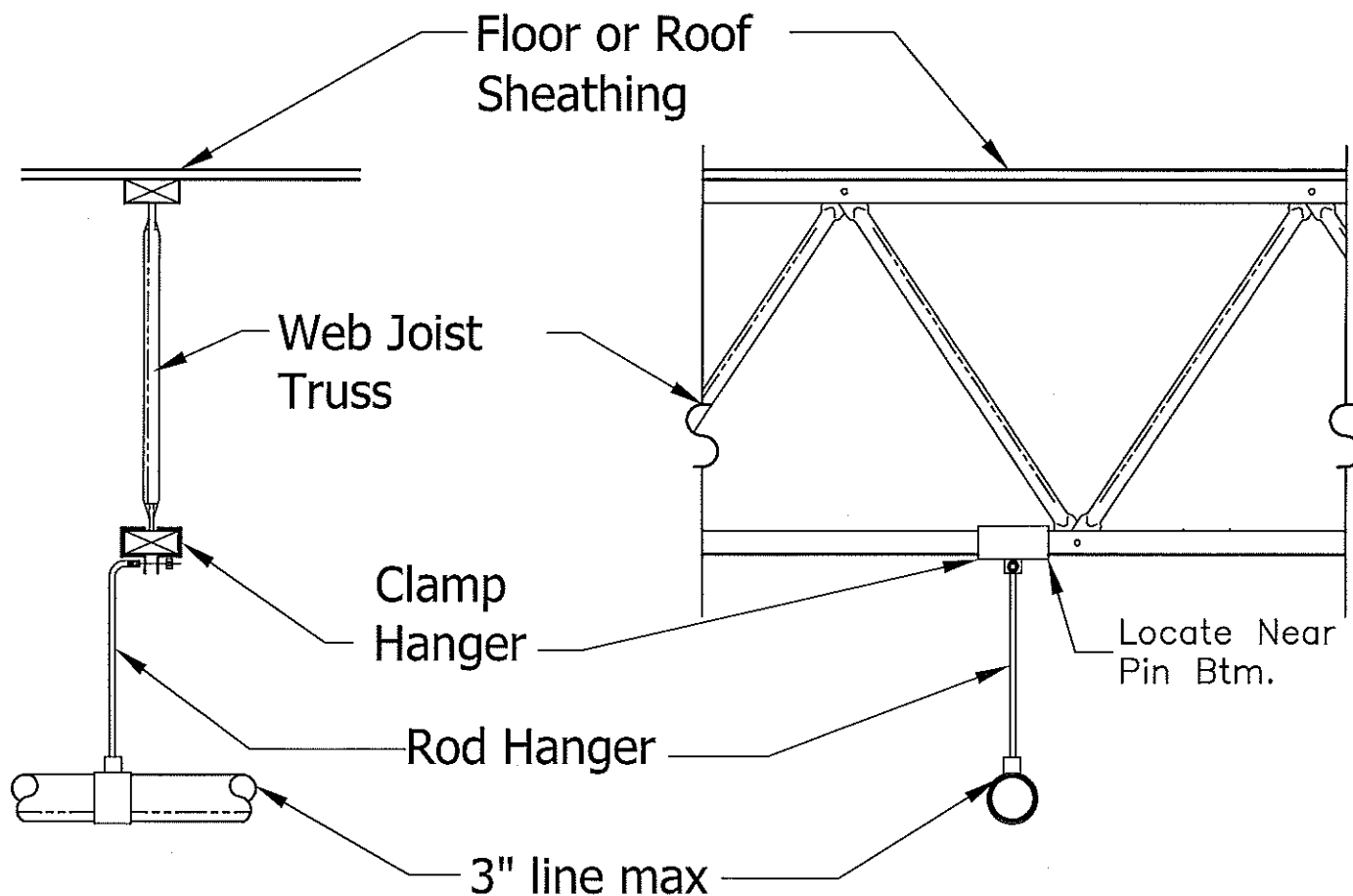
Threaded Rod Hanger

BEH

02-28-08

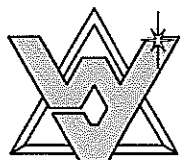
Sht. 8 of 17

Clamp Hanger



1. Install per manufacturer's recommendations.
2. Do Not Exceed the manufacturer's rated capacity.

Web Joist Northwest Corp.
118 Borovec Road
Chehalis, WA 98532
(888) 748-1173 Phone
(360) 748-6151 Fax
Info@Webjoist.com



WEB JOIST™
Trusses

Title:

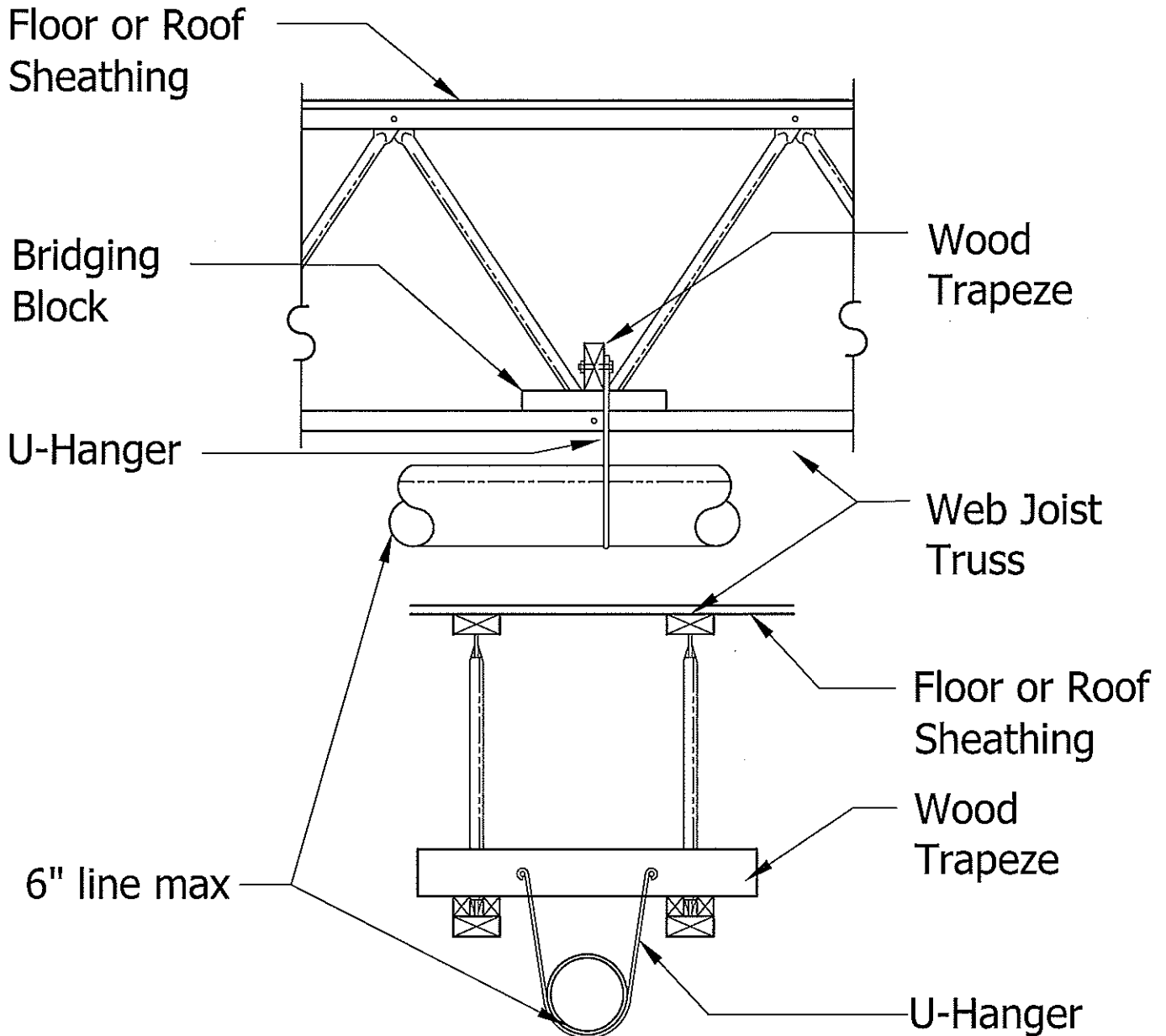
Clamp Hanger

BEH

02-28-08

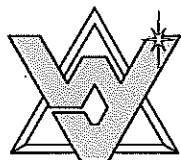
Sht. 9 of 17

U-Hanger



1. Size Wood Trapeze per load.
2. Lag screw U-Hanger to Trapeze.
3. Trapeze supported by notched Bridging Blocks.
4. Can be hung off Load Sharing Bridging.

Web Joist Northwest Corp.
 118 Borovec Road
 Chehalis, WA 98532
 (888) 748-1173 Phone
 (360) 748-6151 Fax
 Info@Webjoist.com



WEB JOIST™
 Trusses

Title:

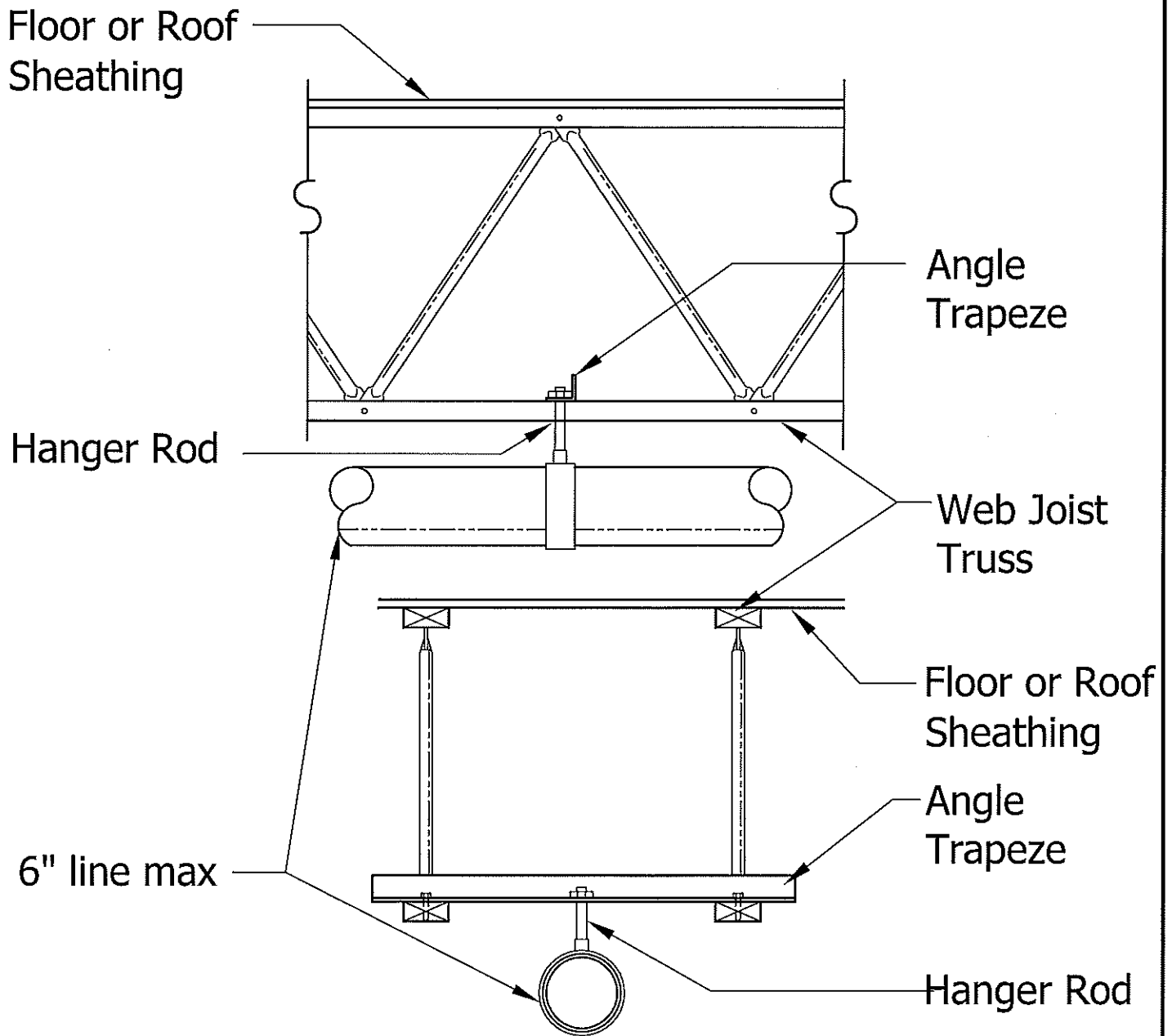
U-Hanger

BEH

02-28-08

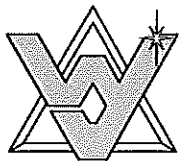
Sht. 10 of 17

Angle Trapeze @ Bottom Chord



1. Size Angle Trapeze per loading.
2. Attach w/ $\frac{3}{8}$ " lag screws w/ $1\frac{1}{2}$ " penetration.
3. Predrill $\frac{1}{4}$ " lead hole.
4. Do not install within 6" of pin connection.

Web Joist Northwest Corp.
 118 Borovec Road
 Chehalis, WA 98532
 (888) 748-1173 Phone
 (360) 748-6151 Fax
 Info@Webjoist.com

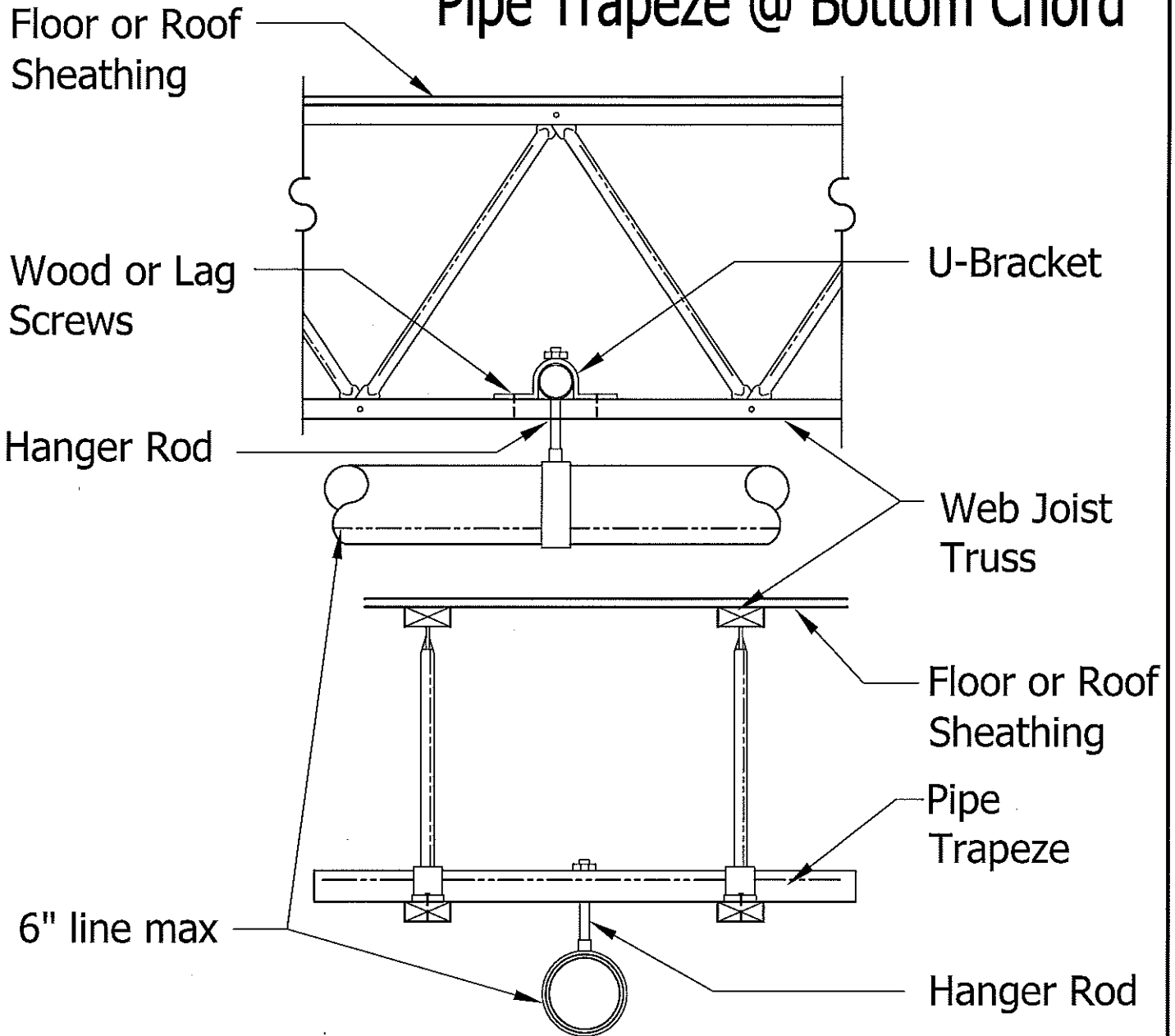


WEB JOIST™
 Trusses

Title: Angle Trapeze
 (Btm Chord)

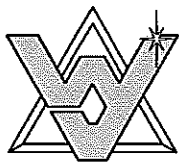
BEH | 02-28-08 | Sht. 11 of 17

Pipe Trapeze @ Bottom Chord



1. Use wood screws or lag screws as determined by load to attach U-Bracket.
2. Must Have 1- $\frac{1}{2}$ " penetration.
3. Predrill holes.
4. Do not install within 6" of pin connection.

Web Joist Northwest Corp.
 118 Borovec Road
 Chehalis, WA 98532
 (888) 748-1173 Phone
 (360) 748-6151 Fax
 Info@Webjoist.com

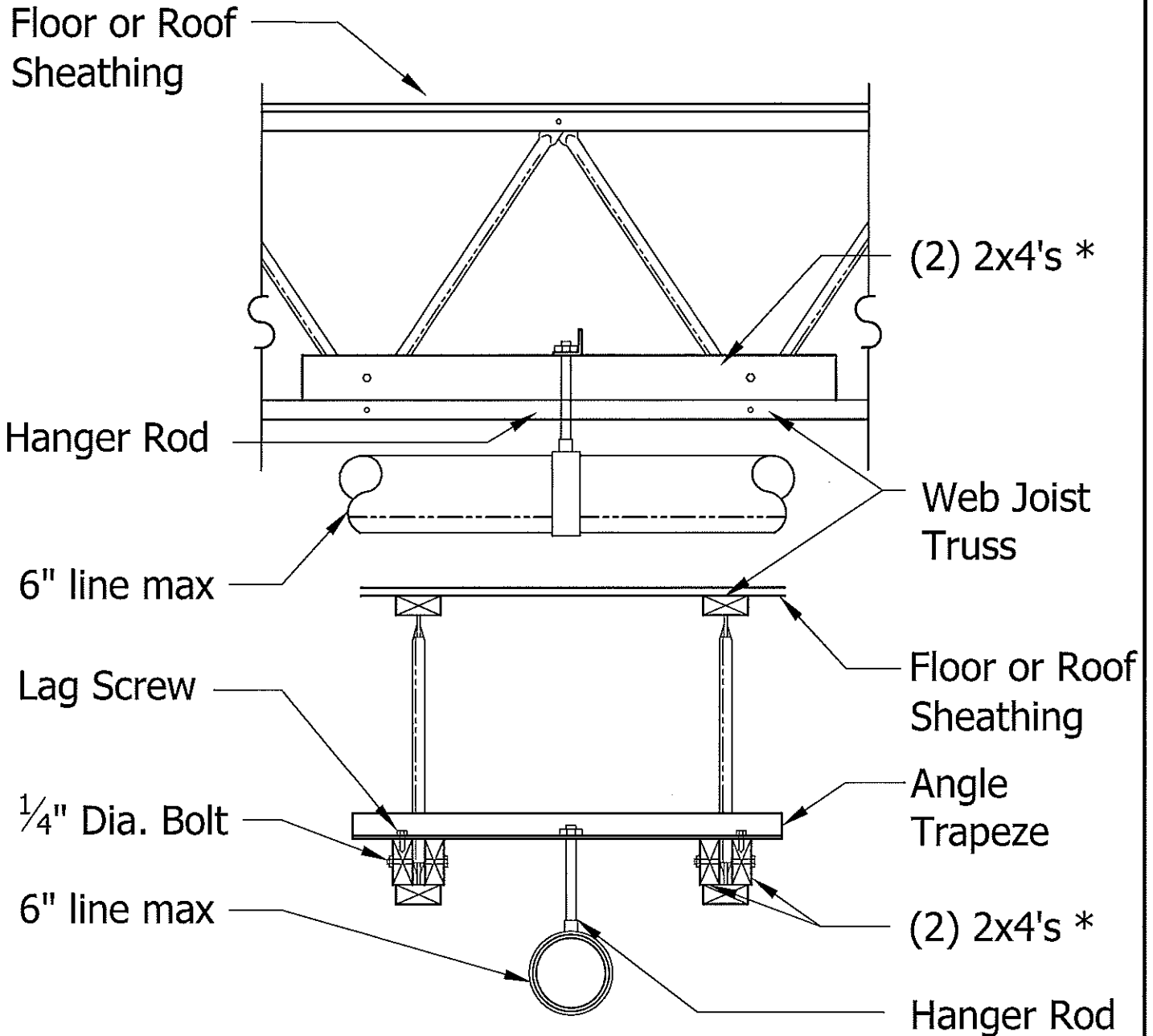


WEB JOIST™
 Trusses

Title: **Pipe Trapeze
 (Btm. Chord)**

BEH 02-28-08 Sht. 12 of 17

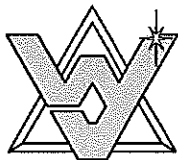
Heavy Trapeze



1. Size Angle Trapeze per loading.
2. Bolt (2) 2x4's on bottom chord w/ 1/4" Dia. bolts at both locations. (snug tight)
3. Lag screw Trapeze to 2x4's.

* See "Alternate Panel Detail"

Web Joist Northwest Corp.
 118 Borovec Road
 Chehalis, WA 98532
 (888) 748-1173 Phone
 (360) 748-6151 Fax
 Info@Webjoist.com



WEB JOIST™
 Trusses

Title:

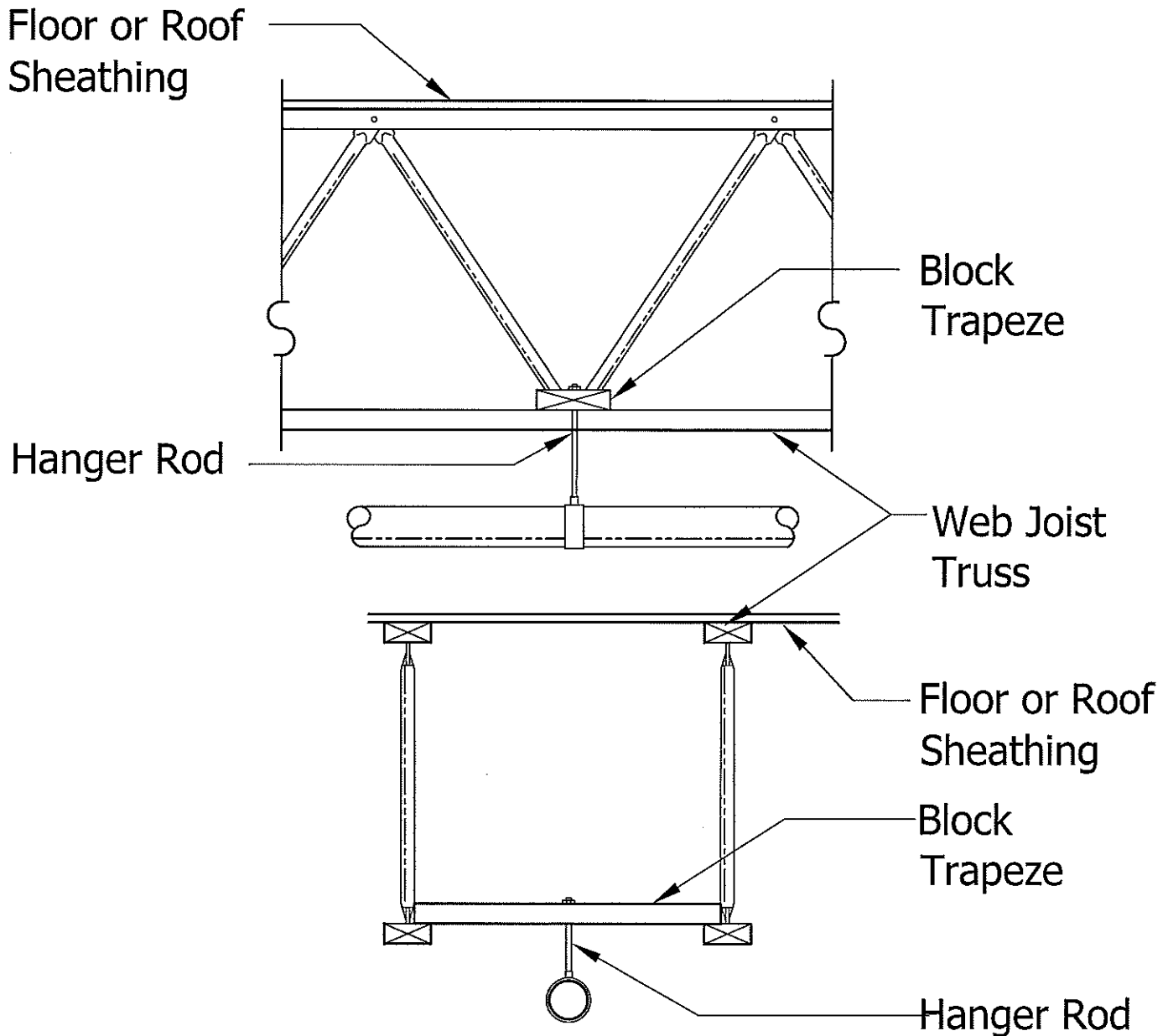
Heavy Trapeze

BEH

02-28-08

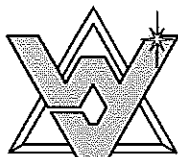
Sht. 13 of 17

Block Trapeze



1. Size 2x_ block per loading.
2. Toenail block to chord w/ (2) 8d nails.
3. Do not nail into pin connection.
4. Use $\frac{3}{8}$ " threaded rod w/ large washer.

Web Joist Northwest Corp.
 118 Borovec Road
 Chehalis, WA 98532
 (888) 748-1173 Phone
 (360) 748-6151 Fax
 Info@Webjoist.com



WEB JOIST™
 Trusses

Title:

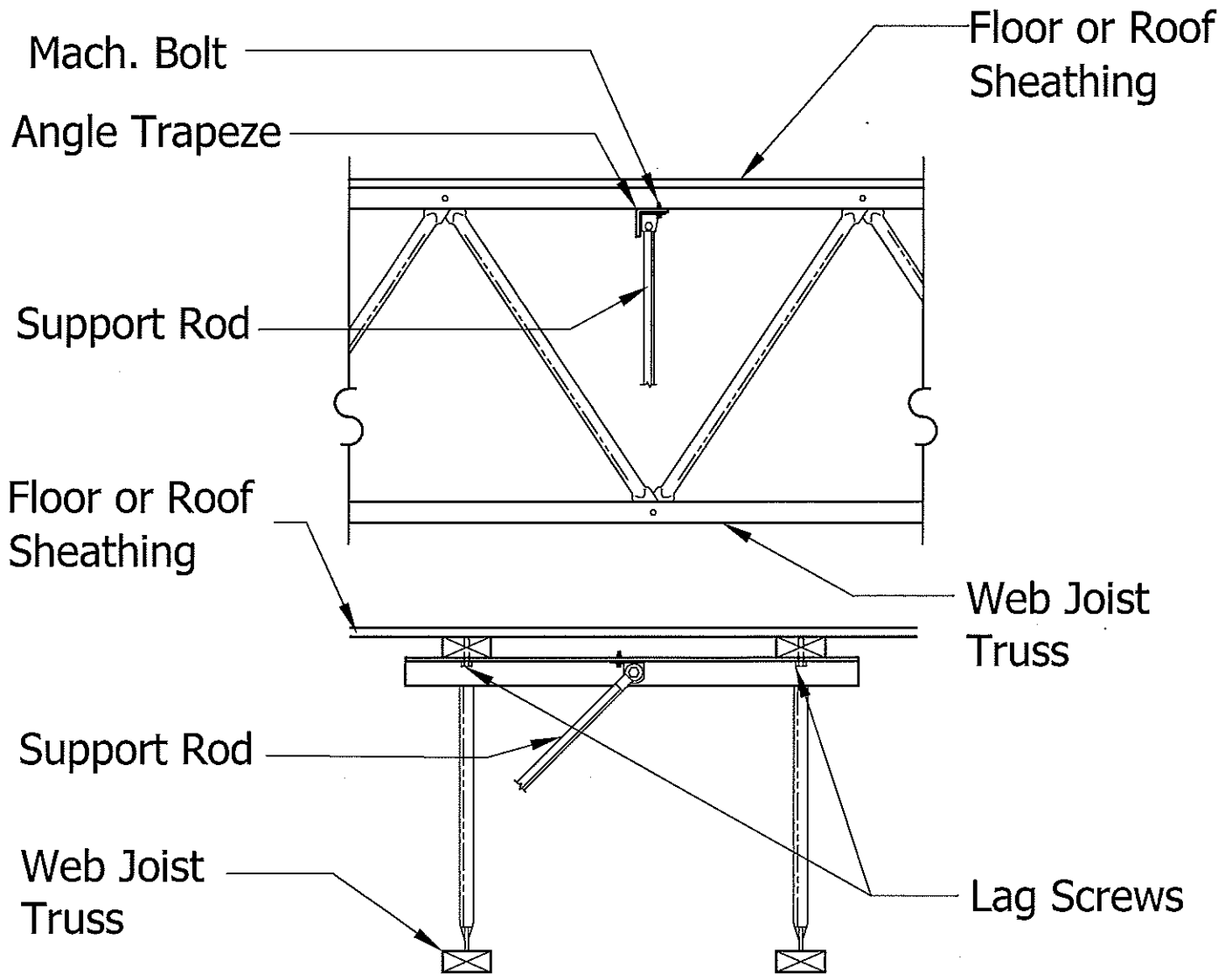
Block Trapeze

BEH

02-28-08

Sht. 14 of 17

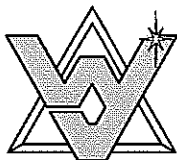
Lateral Support



1. (2) $\frac{1}{4}$ " x $1\frac{1}{2}$ " lag screws (requires $\frac{1}{8}$ " diameter pilot hole) centered on the underside of the top chord.
2. Size Steel Angle per load. Maximum length between trusses 48".
3. Machine Bolt centered between trusses.
4. Swivel sway brace fitting (equivalent to TOLCO Incorp. fig. 910).

Allowable Horizontal Seismic Forces (Lbs.)		
Angle To Verticle		
30°	45°	60°
190	240	240

Web Joist Northwest Corp.
 118 Borovec Road
 Chehalls, WA 98532
 (888) 748-1173 Phone
 (360) 748-6151 Fax
 Info@Webjoist.com



WEB JOIST™
 Trusses

Title:

Lateral Support

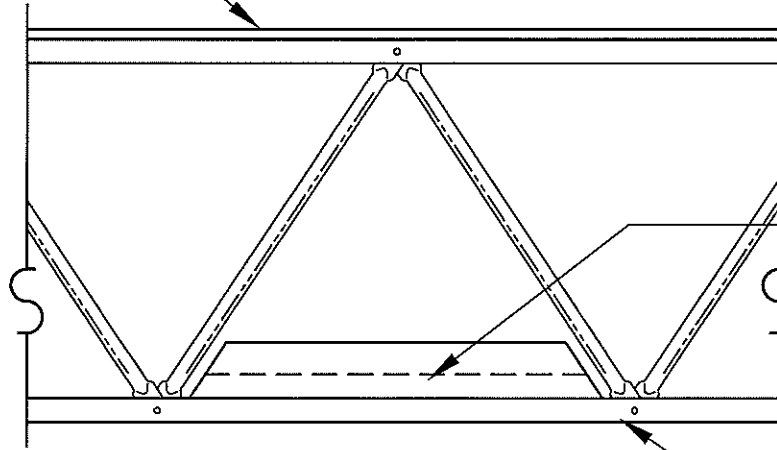
BEH

02-28-08

Sht. 15 of 17

Alternate Panel Detail

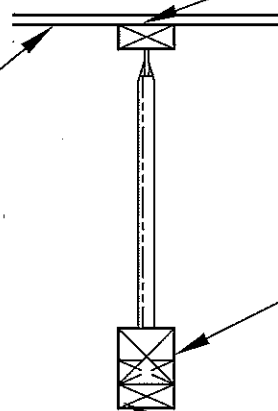
Floor or Roof Sheathing



Load Distribution Block

Web Joist Truss

Floor or Roof Sheathing

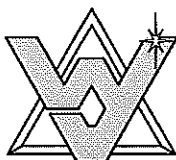


Load Distribution Block

Hanger Rod

1. Use if Bending controls allowable loads applied to panels.
2. Bevel cut 4x4 to fit on top of bottom chord.
3. 1-2x4 or 2-2x4's may be used depending on load.

Web Joist Northwest Corp.
118 Borovec Road
Chehalis, WA 98532
(888) 748-1173 Phone
(360) 748-6151 Fax
Info@Webjoist.com



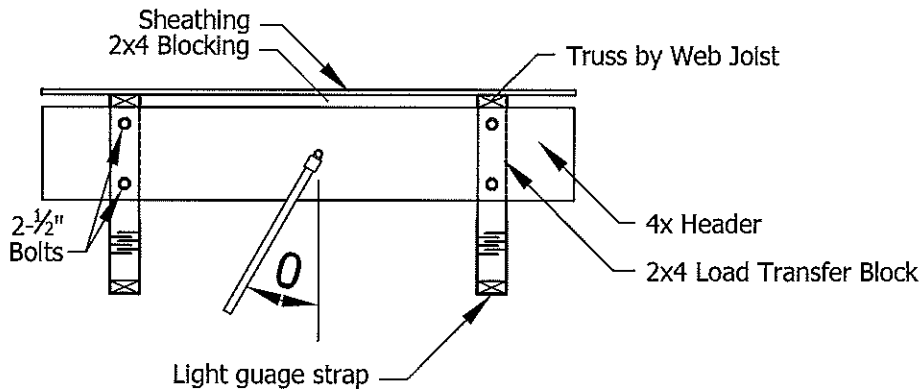
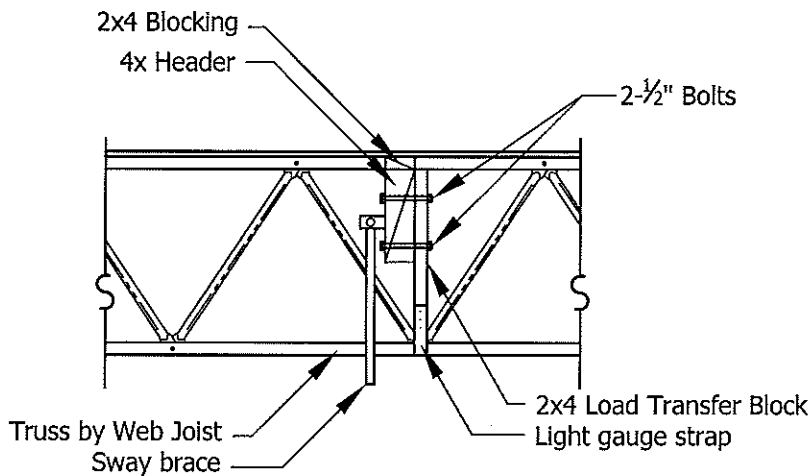
WEB JOIST™
Trusses

Title: Alternate Panel
Detail

BEH 02-28-08

Sht. 16 of 17

Alternate Lateral Brace Detail



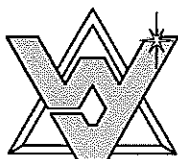
1. Vertical 2x4 block notched at the bottom to clear webs.
2. 2x4 Blocking. Glue top and bottom surfaces with 4-1/4" beads of approved elastomeric floor adhesive. Follow manufacturers recommendations. Glued surfaces must be clean and dust free.
3. 4x10 or 4x12 Douglas fir or southern pine Header. Support as shown with 2-1/2" diameter machine bolts at each end.
4. Light gauge strap (similar to Simpson LSTA24 strap). Install with 3-8d (2-1/2") common nails at the ends of the straps.
5. Make attachment per NFPA 13 at the center of the center of the 4x Header.

ALLOWABLE HORIZONTAL SEISMIC FORCES (Lbs.)

ANGLE TO VERTICAL (θ)		
30°	45°	60°
800	1400	1400

- * The loads in the table are based on the controlling connection to the truss.
- * The capacity of the braces fastener to the wood block may limit the capacity of the detail (See NFPA 13).
- * The forces include a 1.33 duration factor adjustment.

Web Joist Northwest Corp.
118 Borovec Road
Chehalis, WA 98532
(888) 748-1173 Phone
(360) 748-6151 Fax
Info@Webjoist.com



WEB JOIST™
Trusses

Title: **Alternate Lateral
Brace Detail**

BEH 02-28-08 Sht. 17 of 17