

WEB-i[®]

Joists

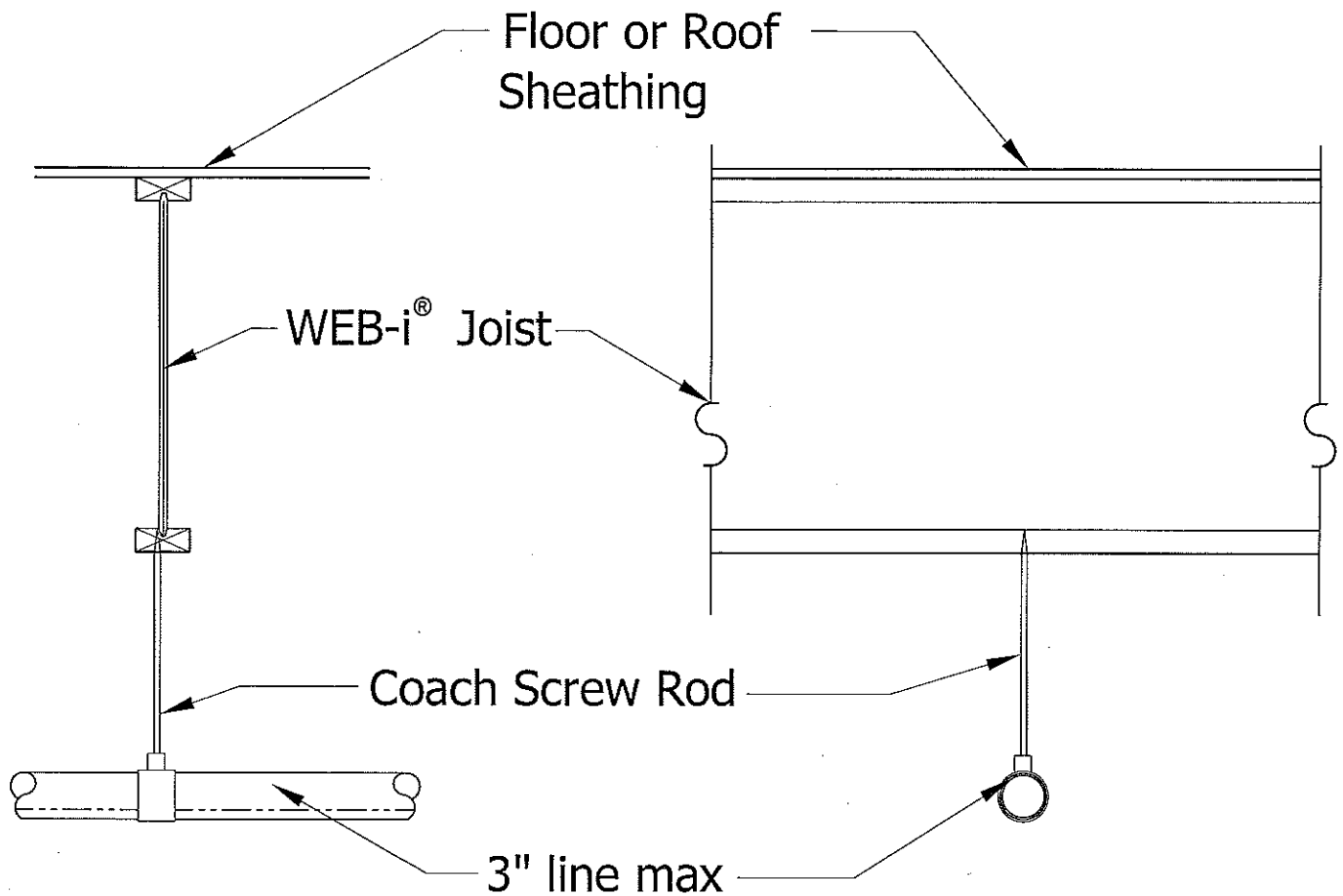
WEB-i[®] Sprinkler Line Attachment Manual

General Information

1. The following suggested details may or may not meet local code requirements, therefore approval should be obtained from local code officials prior to usage.
2. WEB-i[®] Joists must be designed to support attached sprinkler systems. It is recommended that 3 PSF be added to the basic dead load for sprinkler branch lines. Mains must be analyzed individually.
3. The maximum load that may be carried by a detail is controlled by many factors, therefore each combination is evaluated on its specific characteristics.
4. Extra Joists may be required for some loading conditions.
5. Lag screws, wood screws, and nails may not be driven into the 1 1/2" face of the flange.
6. Lead holes are required for all lag screws and wood screws.
7. For special inquiries contact a Web Joist Representative.

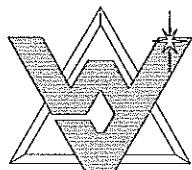
Web Joist Northwest Corp.
118 Borovec Road
Chehalis, WA 98532
(888) 748-1173 Phone
(360) 748-6151 Fax

Coach Screw Rod Hanger



1. Use $\frac{3}{8}$ " Coach Screw Rod w/ $1\frac{1}{2}$ " penetration in flange.
2. Predrill $\frac{1}{4}$ " lead hole.
3. Install rod within $\frac{3}{8}$ " to $\frac{1}{2}$ " of flange centerline.

Web Joist Northwest Corp.
118 Borovec Road
Chehalis, WA 98532
(888) 748-1173 Phone
(360) 748-6151 Fax



WEB-i®

Joists

Title:

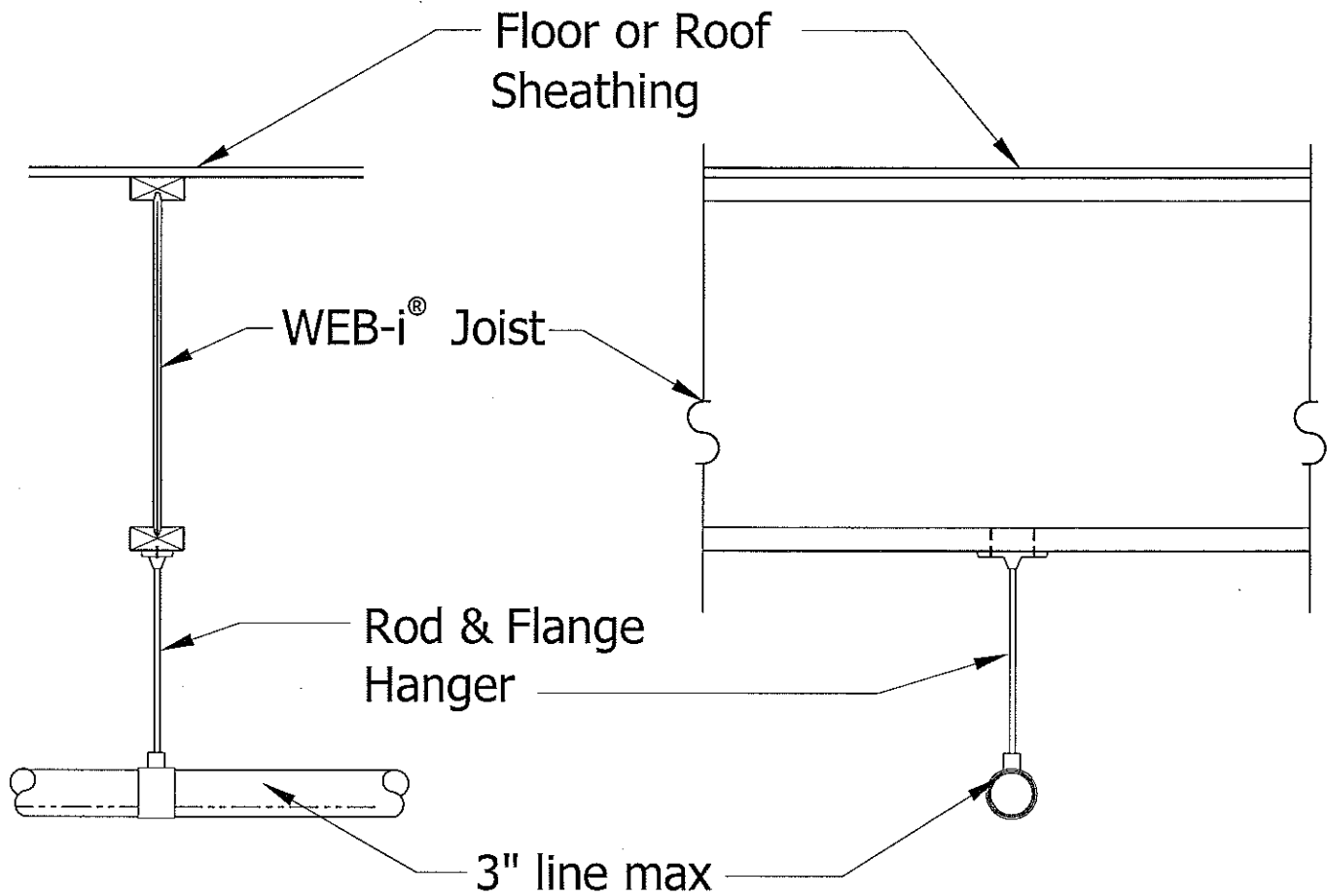
Coach Screw Rod Hanger

GRD

01-04-02

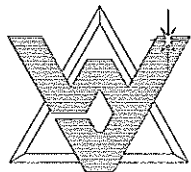
Sht. 1 of 8

Flange Hanger



1. Use (2) #18 screws w/ $1\frac{1}{2}$ " penetration.
2. Predrill $\frac{3}{16}$ " lead hole.
3. Locate screws within $\frac{3}{8}$ " of flange centerline.

Web Joist Northwest Corp.
118 Borovec Road
Chehalis, WA 98532
(888) 748-1173 Phone
(360) 748-6151 Fax



WEB-i®

Joists

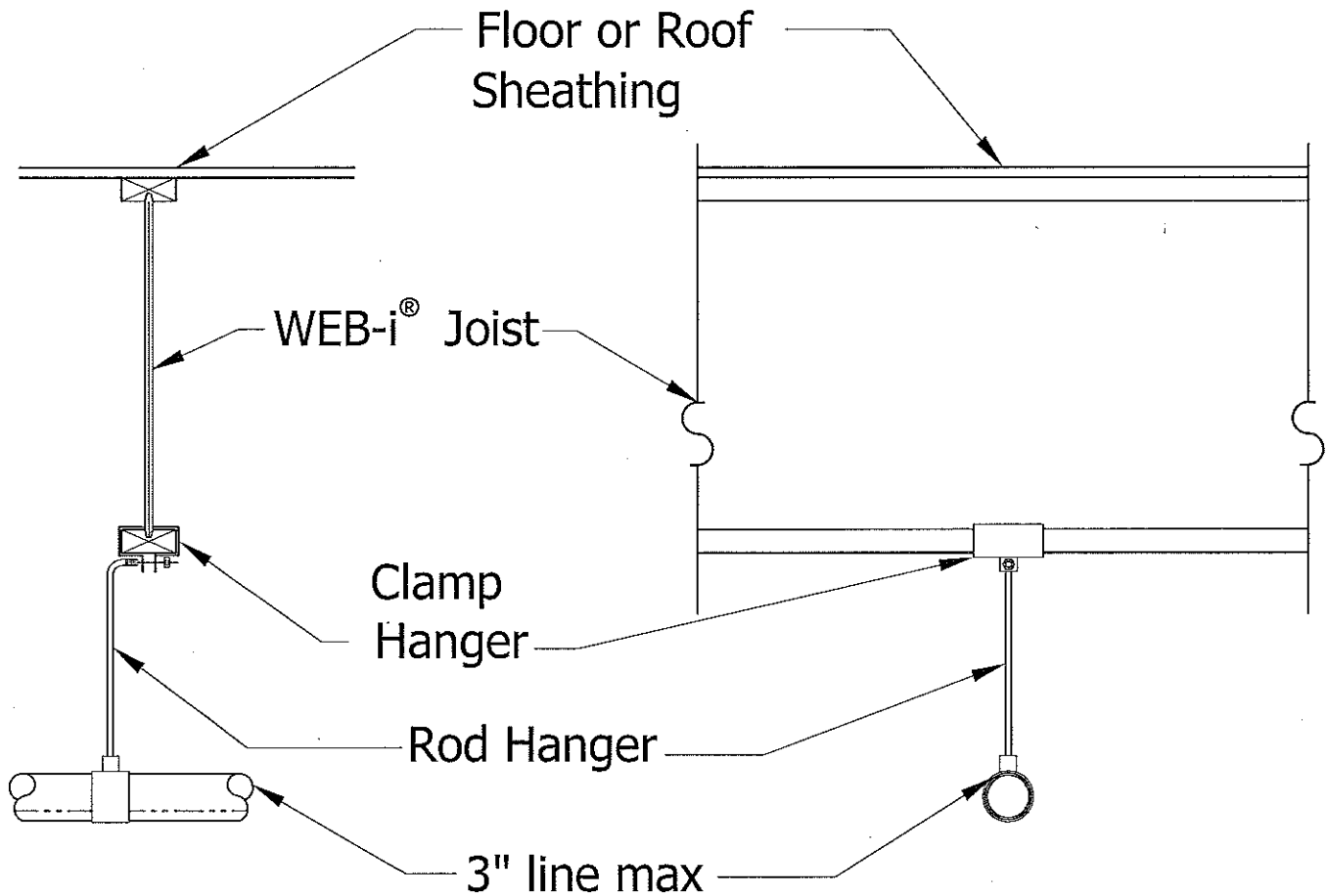
Title:

Flange Hanger

GRD 01-04-02

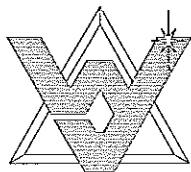
Sht. 2 of 8

Clamp Hanger



1. Install per manufacturer's recommendations.
2. Do Not Exceed the manufacturer's rated capacity.

Web Joist Northwest Corp.
118 Borovec Road
Chehalis, WA 98532
(888) 748-1173 Phone
(360) 748-6151 Fax



WEB-i[®]

Joists

Title:

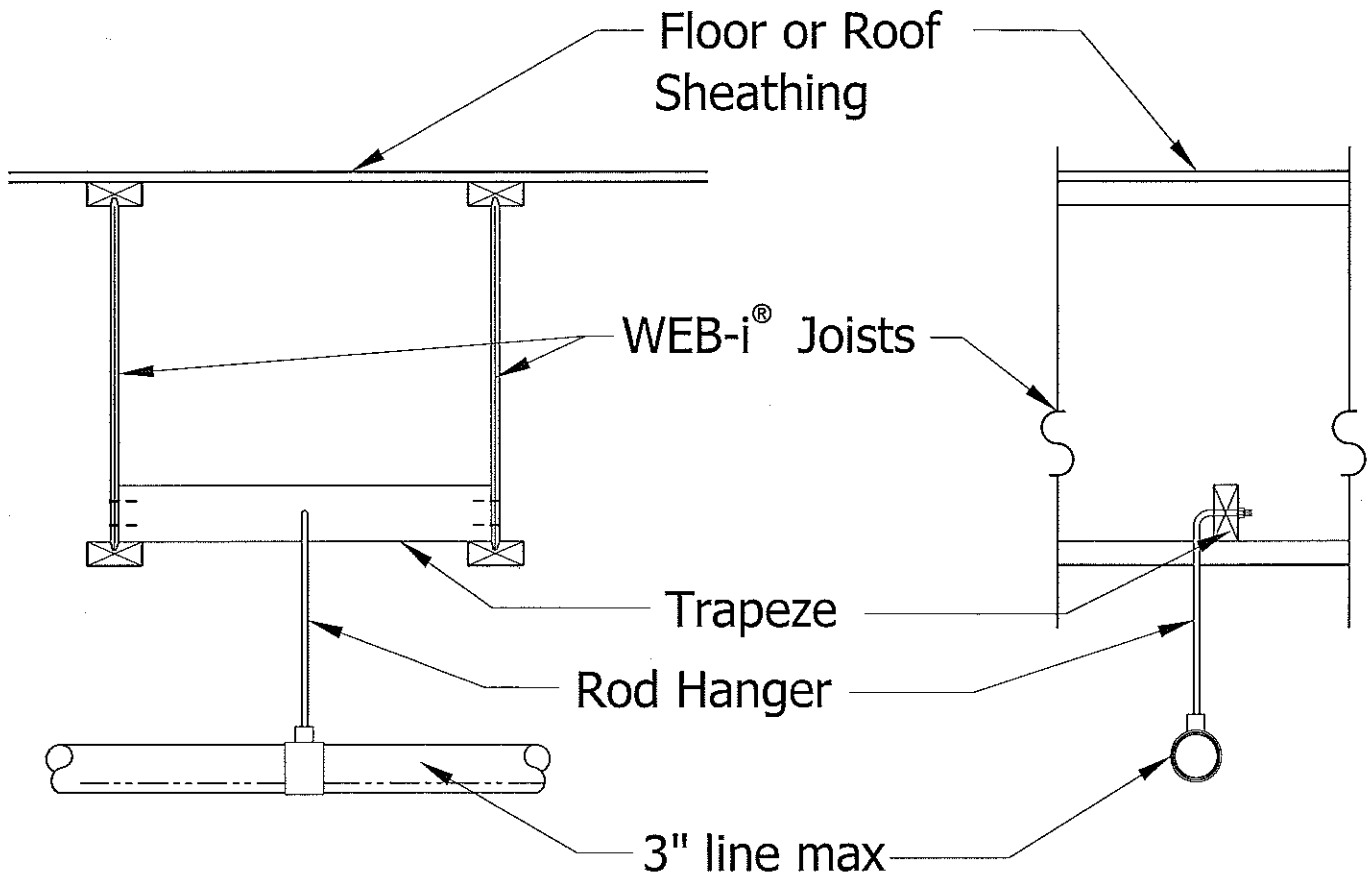
Clamp Hanger

GRD

01-04-02

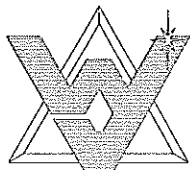
Sht. 3 of 8

Trapeze Hanger



1. Size Trapeze according to load. (2x4 min.)
2. Use $\frac{3}{8}$ " dia. bent rod minimum w/ nut & washer.
3. Center rod between joists.
4. Attach Trapeze to joist w/ (2) 8d nails each end minimum.

Web Joist Northwest Corp.
118 Borovec Road
Chehalis, WA 98532
(888) 748-1173 Phone
(360) 748-6151 Fax



WEB-i®

Joists

Title:

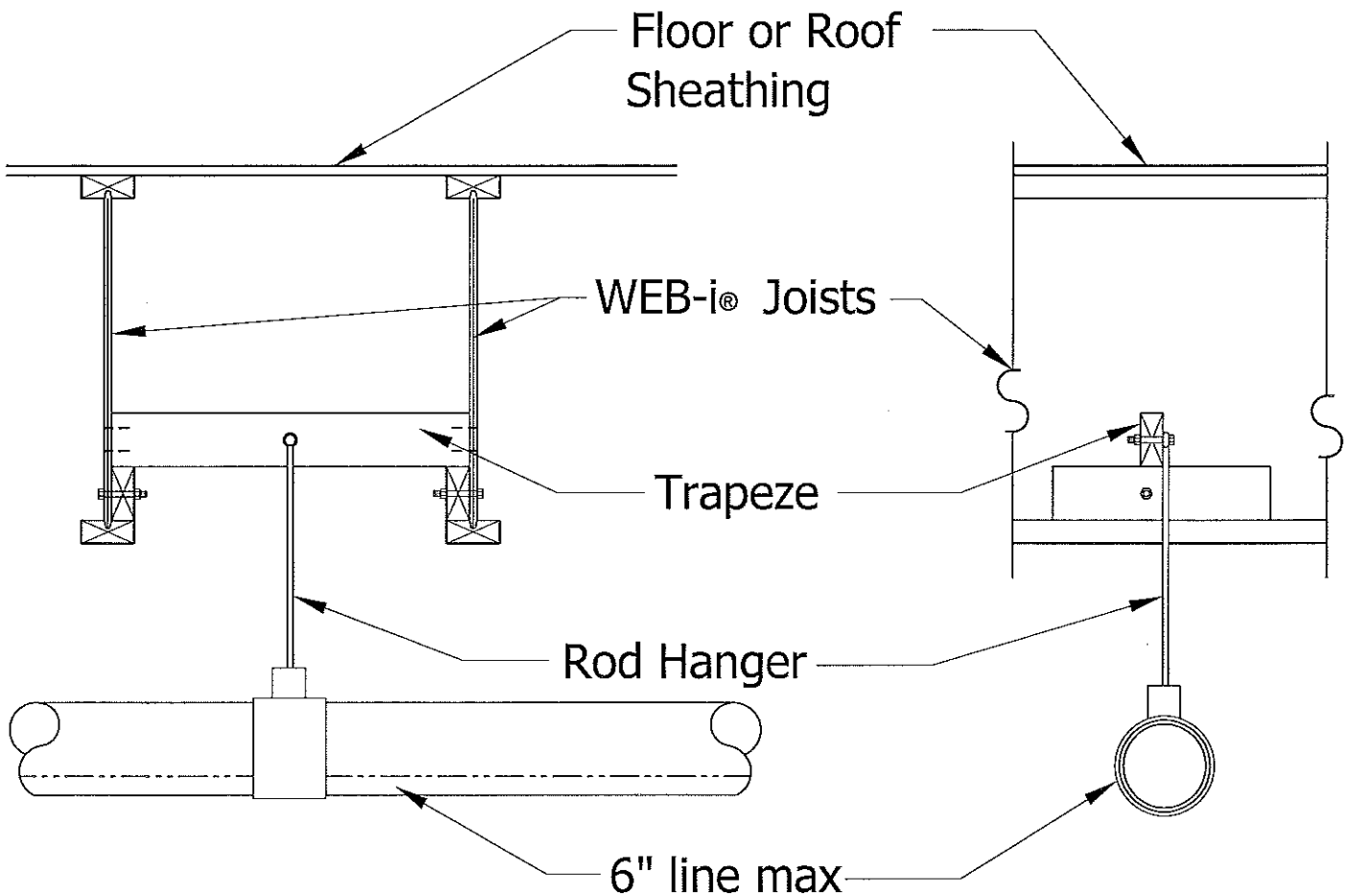
Trapeze Hanger

GRD

01-04-02

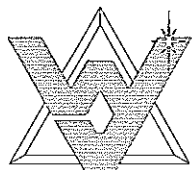
Sht. 4 of 8

Heavy Trapeze Hanger



1. Size Trapeze according to load. (2x4 min.)
2. Use $\frac{3}{8}$ " bolts w/ 1" dia. washers to attach 2x_ blocks to joist. (cinch tight)
3. Center rod eye between joists.
4. Attach Trapeze to joist w/ (2) 8d nails each end minimum.

Web Joist Northwest Corp.
118 Borovec Road
Chehalis, WA 98532
(888) 748-1173 Phone
(360) 748-6151 Fax



WEB-i®

Joists

Title:

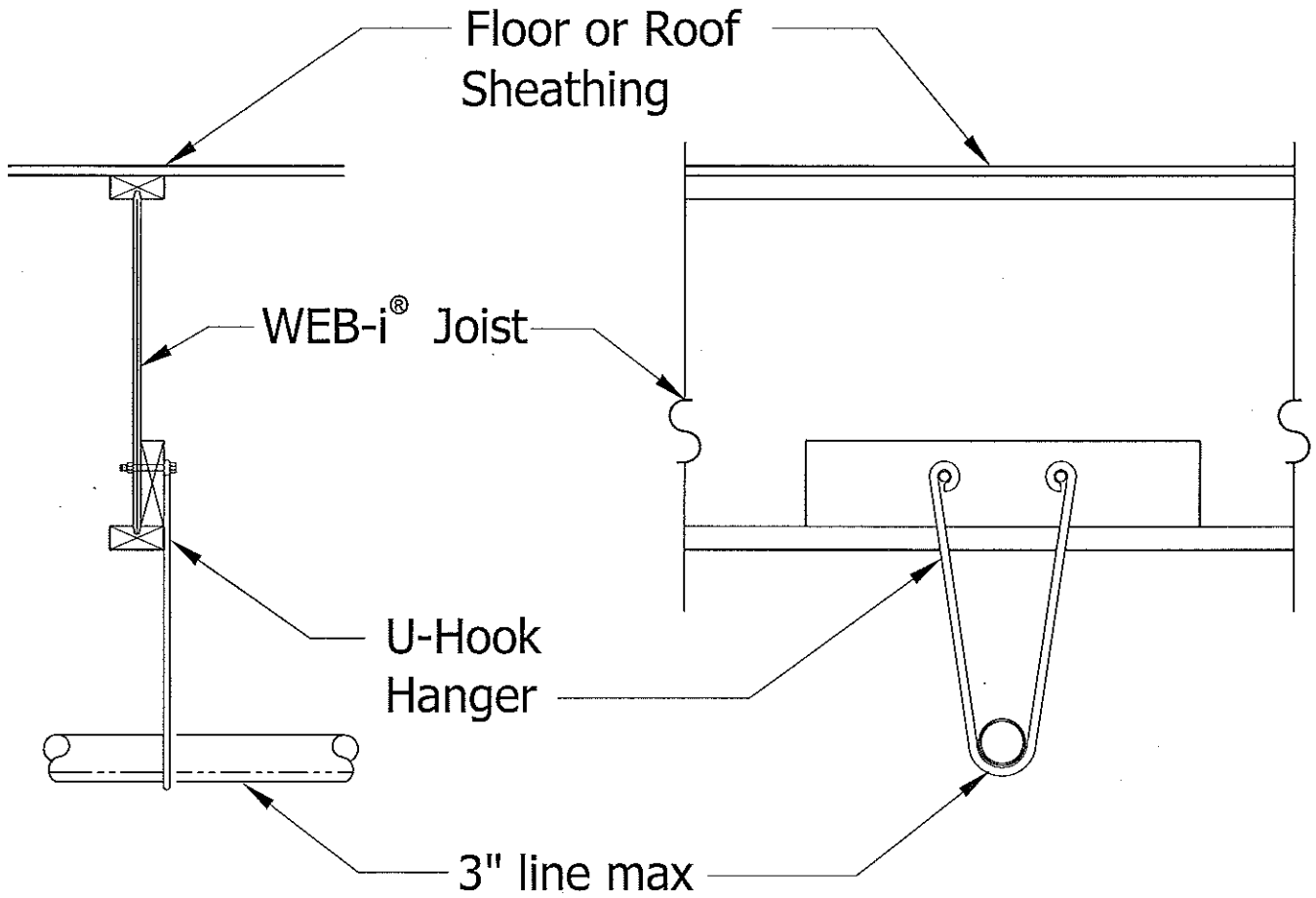
Heavy Trapeze Hanger

GRD

01-04-02

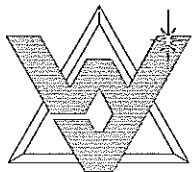
Sht. 5 of 8

U-Hook Hanger



1. Use (2) $\frac{3}{8}$ " dia. bolts w/ 1" dia. washers to attach 2x6 to joist. (cinch tight)

Web Joist Northwest Corp.
118 Borovec Road
Chehalis, WA 98532
(888) 748-1173 Phone
(360) 748-6151 Fax



WEB-i[®]

Joists

Title:

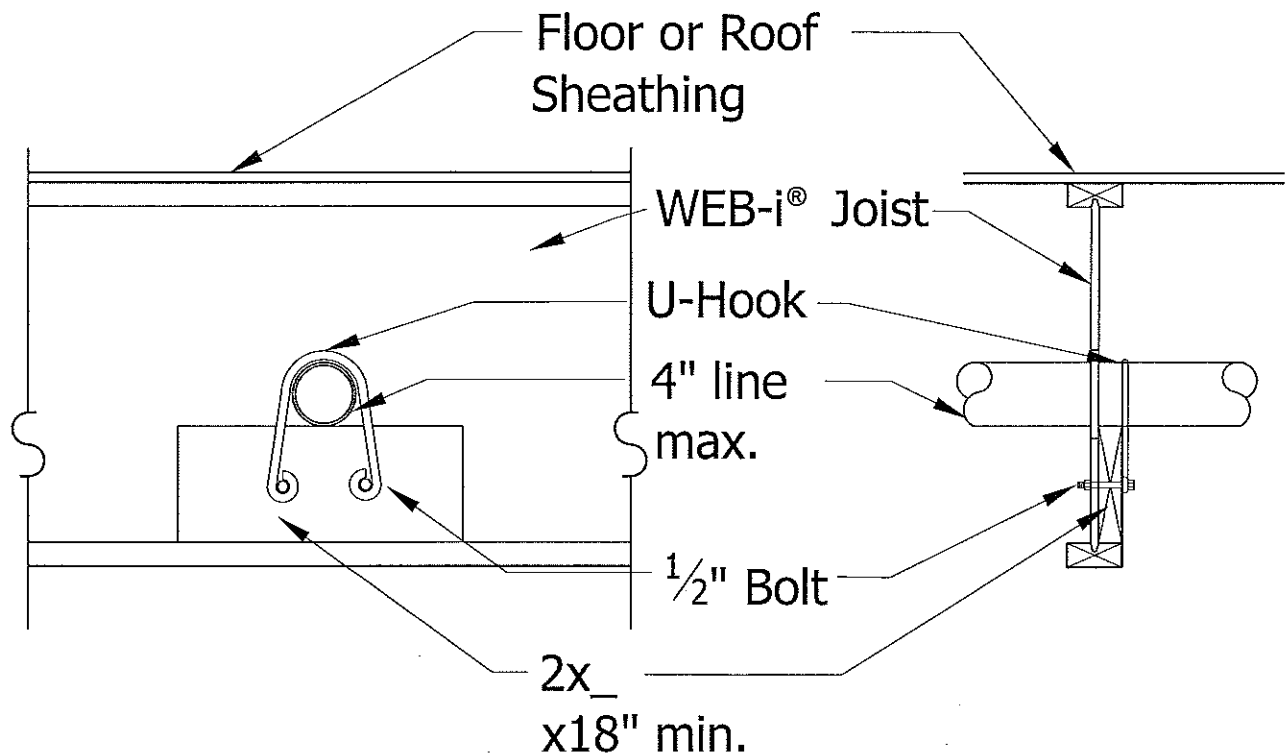
U-Hook Hanger

GRD

01-04-02

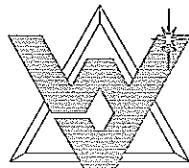
Sht. 6 of 8

Pipe through web



1. 2x_ 18" long min. (resting on bottom flange)
2. Invert U-Hook, size and shape in accordance with NFPA 13. May be placed as shown or flat against web on the opposite side.
3. Hole cut neatly in the web of WEB-i® joist according to hole chart.
4. (2) 1/2" diameter machine bolts with washers.

Web Joist Northwest Corp.
 118 Borovec Road
 Chehalis, WA 98532
 (888) 748-1173 Phone
 (360) 748-6151 Fax



WEB-i®

Joists

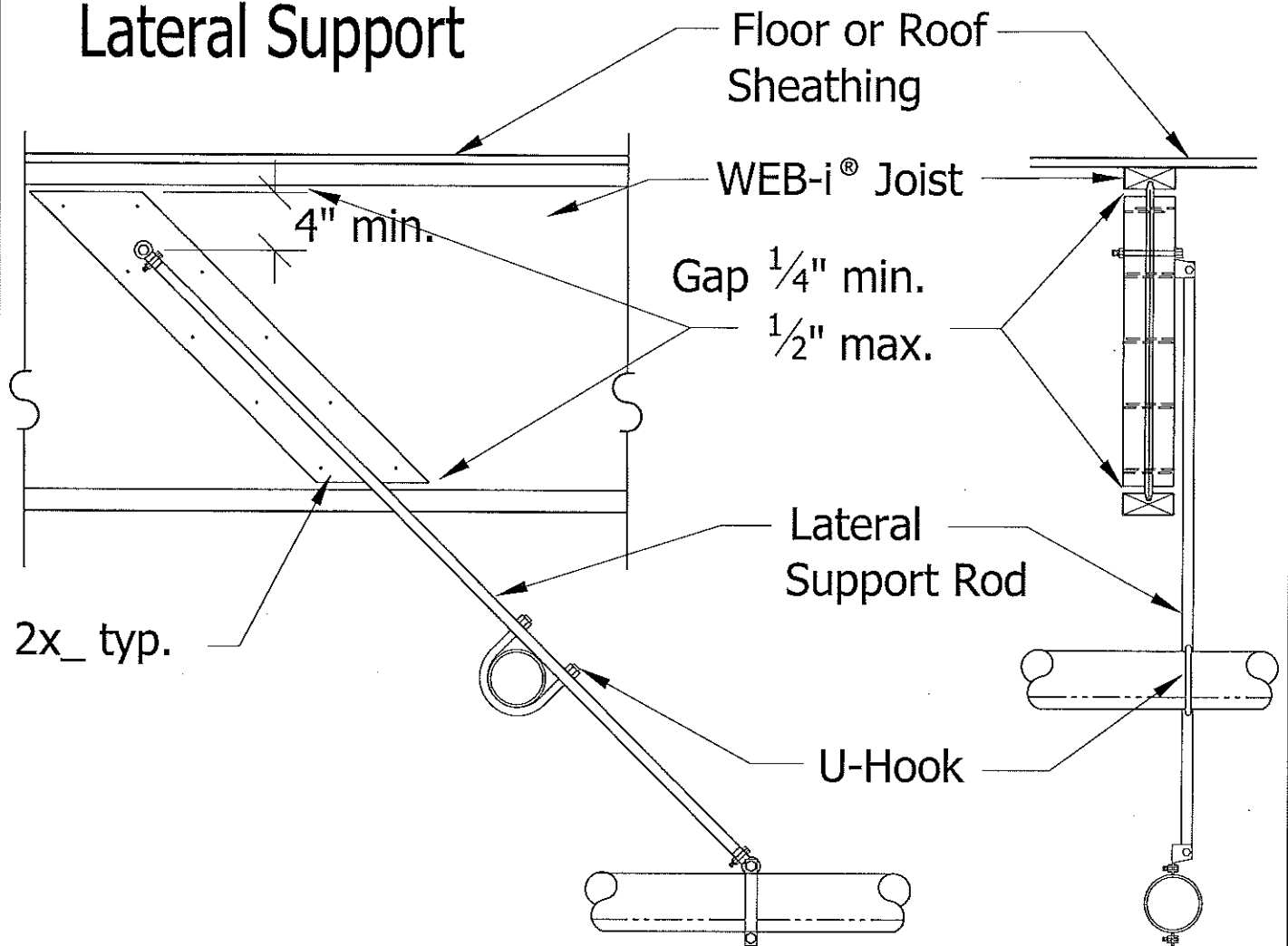
Title:

Pipe through the web

GRD 01-04-02

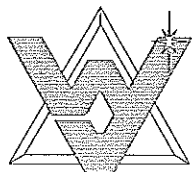
Sht. 7 of 8

Lateral Support



1. 2x_ Douglas Fir or Southern Pine no. 2 or better with (10) 12d (3 1/4") common (16d sinker) nails.
2. Brace and attachment to 2x6 (min.) block per NFPA 13.
3. Do not use this detail for loads perpendicular to the joist.
4. Make connection in top half of the block, centered at least 4" from the edge of the block

Web Joist Northwest Corp.
 118 Borovec Road
 Chehalis, WA 98532
 (888) 748-1173 Phone
 (360) 748-6151 Fax



WEB-i®

Joists

Title:

Lateral Support

GRD

01-04-02

Sht. 8 of 8